

SOLIDWORKS 2026

Accelerate Design Innovation



INTRODUCTION

WHAT'S NEW: DESIGN AND MODELING

- Drawings
 - Assemblies
 - Parts
 - 3D Dimensioning and Tolerancing
 - Electrical and Pipe Routing
 - ECAD-MCAD Collaboration
 - Rendering
 - Import-Export
 - User Experience
 - Performance
-

WHAT'S NEW: COLLABORATION AND DATA MANAGEMENT

WHAT'S NEW: MULTIDISCIPLINARY

- SOLIDWORKS PDM
 - SOLIDWORKS Simulation
 - SOLIDWORKS Electrical
 - DraftSight
-

CONCLUSION

INTRODUCTION

This year marks 30 years of SOLIDWORKS®! SOLIDWORKS was released in 1995 and shortly acquired by Dassault Systèmes in 1997. Since its inception SOLIDWORKS has been for known its intuitive interface, making it easy to learn and use. Each stage of its evolution has focused on ease of use and further simplified engineers' jobs. CAD started with basic command-driven technology on UNIX workstations, progressed to on-screen complex 2D designs, then, with SOLIDWORKS, transitioned to Windows-based 3D solid modeling software to a comprehensive platform integrated with cloud services.

Over time, we've expanded SOLIDWORKS' capabilities while continuing to focus on ease-of-use and user experience. With a target of always listening to our customers and implementing the enhancements they want most, SOLIDWORKS has grown in both breadth and depth of functionality in order to provide our users the tools they need to get their jobs done. Today, the evolution of SOLIDWORKS now includes exciting new advances like artificial intelligence (AI) and machine learning integration, and a shift towards cloud-based and cloud-connected solutions.

Every year, SOLIDWORKS delivers a new version with hundreds of new features and functionalities that have been delivered throughout the year through functional deliveries. The majority of these enhancements come straight from you, our customers.

This eBook covers what's new in SOLIDWORKS 2026, from innovative new functionalities and all-new product offerings for design, simulation, collaboration, data management and more!

The following enhancements apply to SOLIDWORKS Design Augmented, (formerly **3DEXPERIENCE®** SOLIDWORKS) SOLIDWORKS Design Connected, (formerly SOLIDWORKS with Cloud Services) and SOLIDWORKS Design with Collaborative Designer for SOLIDWORKS, unless stated otherwise.



INTRODUCTION

WHAT'S NEW: DESIGN AND MODELING

- Drawings
- Assemblies
- Parts
- 3D Dimensioning and Tolerancing
- Electrical and Pipe Routing
- ECAD-MCAD Collaboration
- Rendering
- Import-Export
- User Experience
- Performance

WHAT'S NEW: COLLABORATION AND DATA MANAGEMENT

WHAT'S NEW: MULTIDISCIPLINARY

- SOLIDWORKS PDM
- SOLIDWORKS Simulation
- SOLIDWORKS Electrical
- DraftSight

CONCLUSION

WHAT'S NEW IN DESIGN AND MODELING – ACCELERATE DESIGN INNOVATION

Accelerate documentation and assembly design with AI-powered drawing automation and fastener recognition. Streamline complex tasks with smarter assembly rebuilds, enhanced sheet metal tools, faster sketching, and simplified Physical Product setup— saving time, reducing manual effort, and improving accuracy across the entire design workflow. All backed by improved offline mode, a simplified interface, and enhanced performance when working with large designs.

INTRODUCTION

WHAT'S NEW: DESIGN AND MODELING

- Drawings
- Assemblies
- Parts
- 3D Dimensioning and Tolerancing
- Electrical and Pipe Routing
- ECAD-MCAD Collaboration
- Rendering
- Import-Export
- User Experience
- Performance

WHAT'S NEW: COLLABORATION AND DATA MANAGEMENT

WHAT'S NEW: MULTIDISCIPLINARY

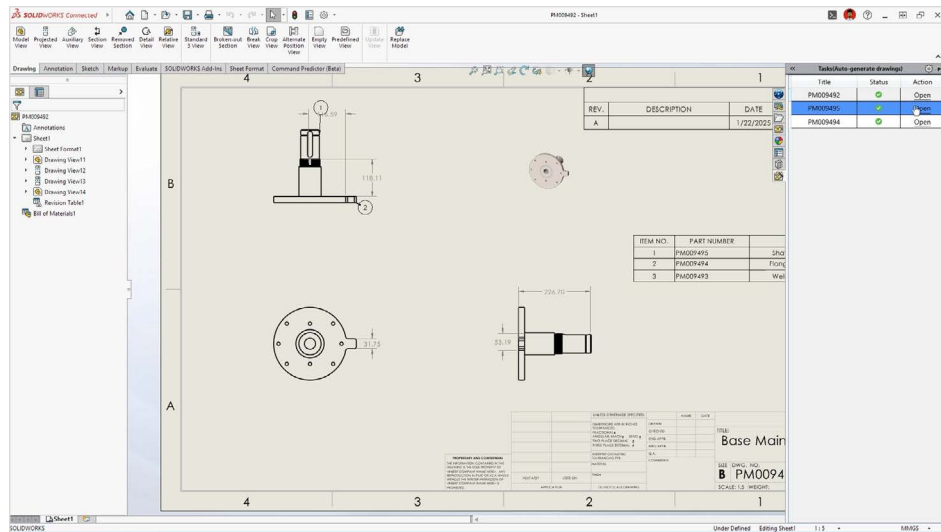
- SOLIDWORKS PDM
- SOLIDWORKS Simulation
- SOLIDWORKS Electrical
- DraftSight

CONCLUSION

DRAWINGS

Accelerate drawing creation by automatically generating detailed 2D drawings with proper sheet formats, intelligently arranging views and hole callouts using AI, displaying configuration data via Family Tables, and improving clarity with automatic dimension line breaks—reducing manual work and enhancing drawing accuracy and readability.

Streamline drawing creation by automatically generating detailed 2D drawings and selecting appropriate sheet formats and sizes, saving time and ensuring proper scaling and layout. AI-driven features intelligently arrange drawing views to prevent overlaps and accurately identify hole types for correct callouts, reducing manual effort and enabling greater focus on design and engineering.



Automatically Generate Drawings

Quickly create drawings using the new, easily accessible AutoGenerate Drawing command now available directly under the New menu for automatic drawing creation.

Significantly speed-up drawing creation and use your time more productively with the ability to automatically generate detailed 2D drawings for parts and assemblies, complete with appropriate dimensions, views and sheet format through the power of AI.

You can access automatic drawing generation three ways:

- Click File, then select Auto-Generate Drawing (BETA).
- Right click a part, subassembly, or top-level assembly in the FeatureManager design tree or in the graphics area and select Auto-Generate Drawing (BETA).
- Click the New menu and select Auto-Generate Drawing (BETA).

This command also enables the following functionality:

- Automatic hole recognition leveraging AI- the Hole Wizard recognizes geometry that looks like holes, such as countersunk, counterbore, and through holes, and intelligently applies the appropriate hole callouts. This goes for native SOLIDWORKS or imported geometry.
- Ensures views are automatically arranged to avoid overlap with each other and with annotations through the power of AI.
- Automatically matches the sheet format industry standard to the part or assembly industry standard.
- Automatically determines the best-fit sheet size to ensure all views and annotations are clearly scaled and neatly arranged without overlap.

INTRODUCTION

WHAT'S NEW: DESIGN AND MODELING

- Drawings
- Assemblies
- Parts
- 3D Dimensioning and Tolerancing
- Electrical and Pipe Routing
- ECAD-MCAD Collaboration
- Rendering
- Import-Export
- User Experience
- Performance

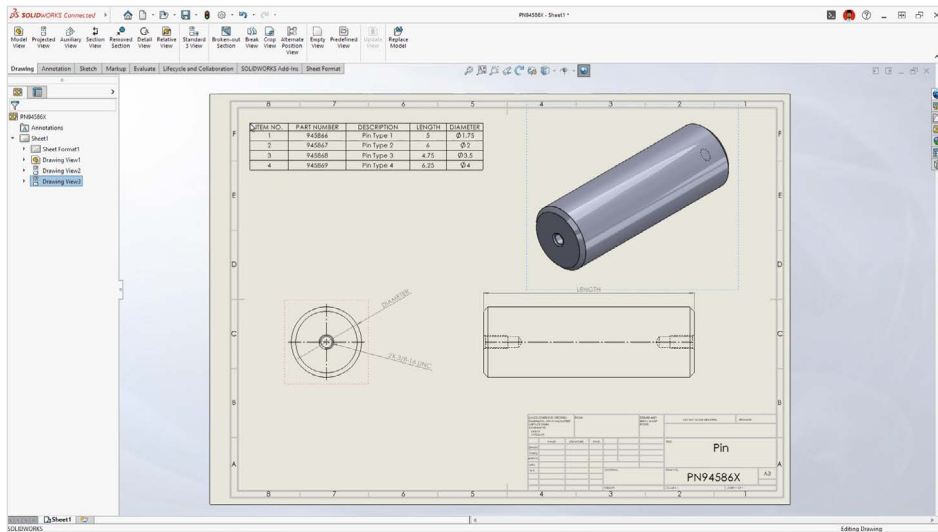
WHAT'S NEW: COLLABORATION AND DATA MANAGEMENT

WHAT'S NEW: MULTIDISCIPLINARY

- SOLIDWORKS PDM
- SOLIDWORKS Simulation
- SOLIDWORKS Electrical
- DraftSight

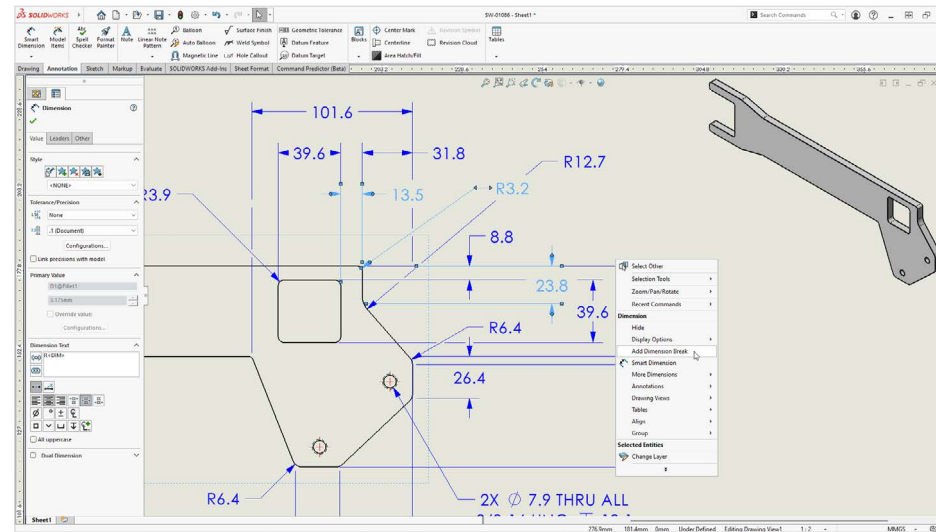
CONCLUSION

DRAWINGS



Insert Family Tables for Configurations in a Drawing

Automatically display configuration details and custom properties of parts and assemblies on drawings using Family Tables, enhancing clarity and reducing manual documentation.



Automatic Dimension Line Breaks for Intersecting Text and Annotations

Creating clear and readable technical drawings often requires managing overlapping dimension lines, text, and other annotations. Automatically create breaks in dimension lines where they intersect or overlap with text and annotations, improving drawing clarity and readability.

INTRODUCTION

WHAT'S NEW: DESIGN AND MODELING

- Drawings
- Assemblies
- Parts
- 3D Dimensioning and Tolerancing
- Electrical and Pipe Routing
- ECAD-MCAD Collaboration
- Rendering
- Import-Export
- User Experience
- Performance

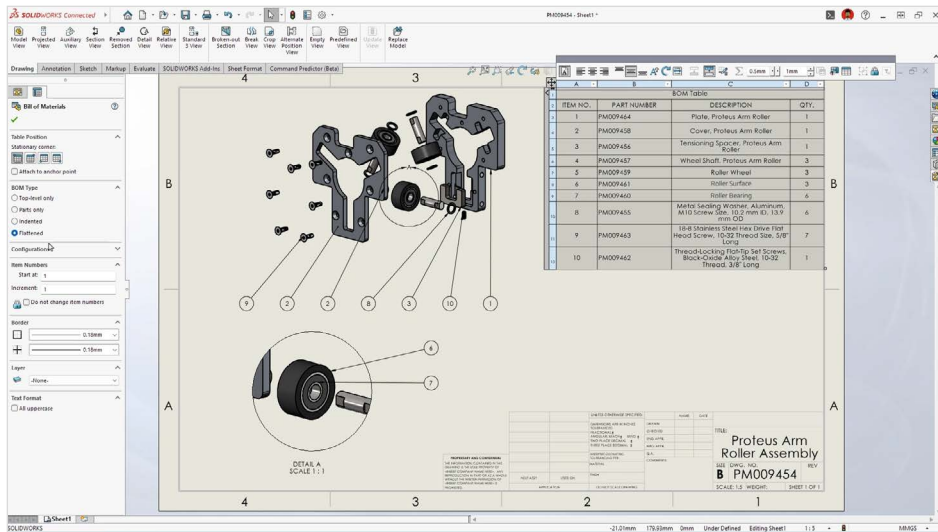
WHAT'S NEW: COLLABORATION AND DATA MANAGEMENT

WHAT'S NEW: MULTIDISCIPLINARY

- SOLIDWORKS PDM
- SOLIDWORKS Simulation
- SOLIDWORKS Electrical
- DraftSight

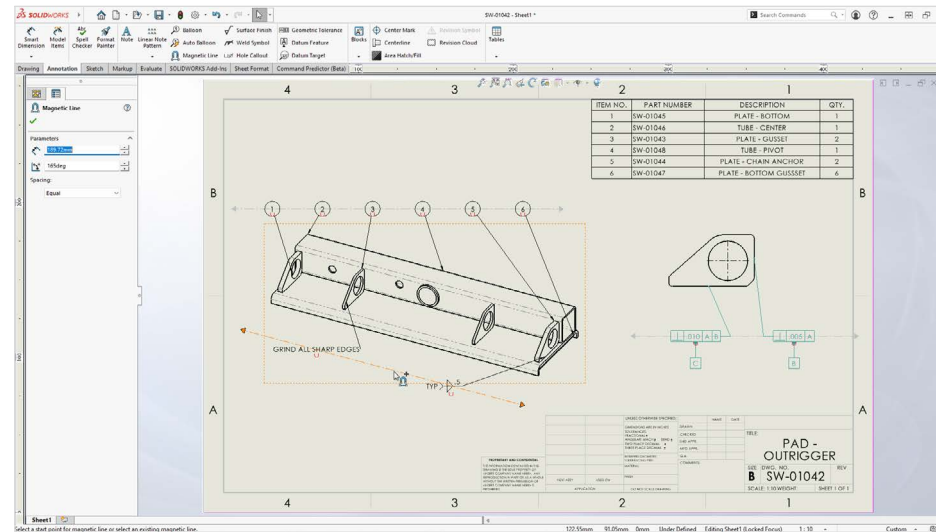
CONCLUSION

DRAWINGS



Creating a Flattened BOM

In the Bill of Materials (BOM) PropertyManager, you can flatten a BOM to display the total quantities for all components. A new BOM type called Flattened now enables you to create a BOM listing all the components used, along with the total quantity used throughout the main assembly and its sub-assemblies.



Enhanced Magnetic Lines for Annotation Alignment

Magnetic lines now support attaching and aligning Notes, Weld Symbols, and other annotations, beyond just balloons, improving the overall presentation and organization of your drawings.

INTRODUCTION

WHAT'S NEW: DESIGN AND MODELING

- Drawings
- Assemblies
- Parts
- 3D Dimensioning and Tolerancing
- Electrical and Pipe Routing
- ECAD-MCAD Collaboration
- Rendering
- Import-Export
- User Experience
- Performance

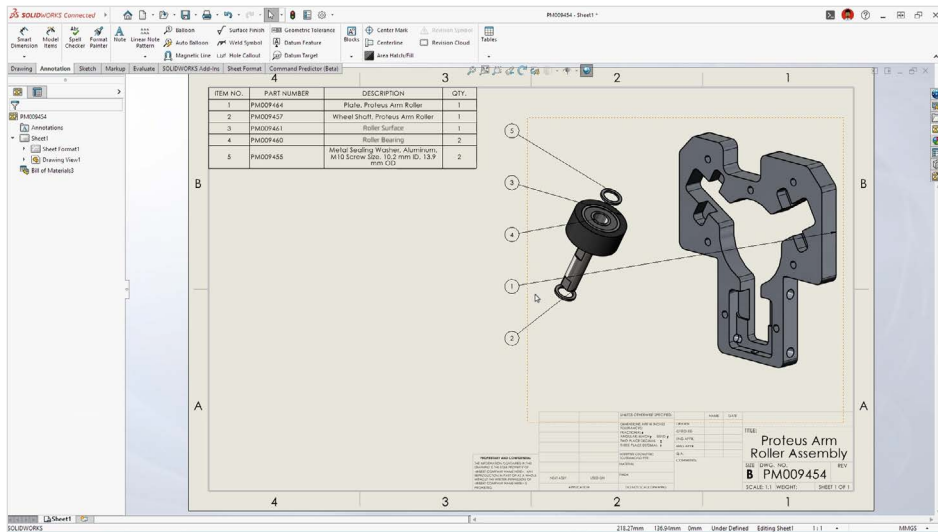
WHAT'S NEW: COLLABORATION AND DATA MANAGEMENT

WHAT'S NEW: MULTIDISCIPLINARY

- SOLIDWORKS PDM
- SOLIDWORKS Simulation
- SOLIDWORKS Electrical
- DraftSight

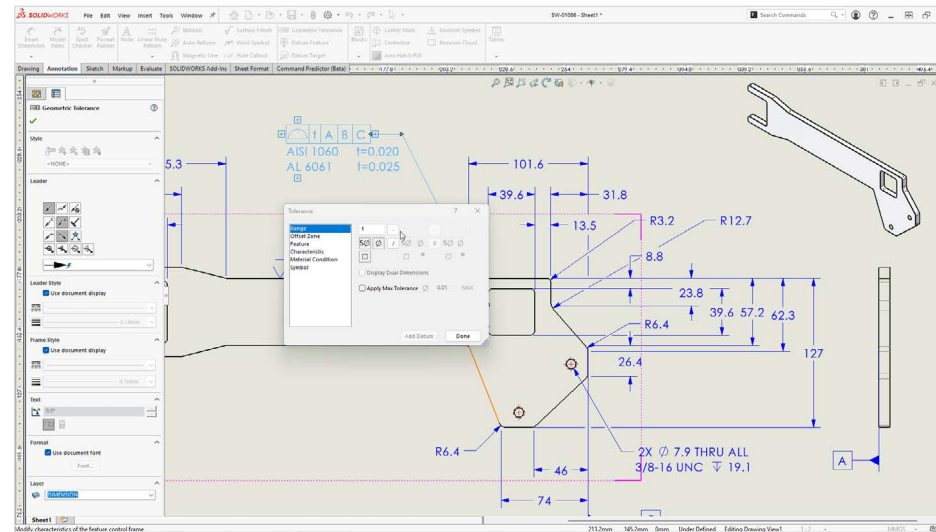
CONCLUSION

DRAWINGS



Filter BOM by Display State

Easily generate a bill of materials that includes only the components visible in a specific display state, streamlining documentation and improving clarity.



Add Custom Text in Geometric Tolerance (GTOL) Values

Convey geometric dimensioning and tolerancing (GD&T) requirements clearly and concisely with the ability to enhance tolerance definitions with custom text and symbols, such as minutes ('), seconds ("), and special characters like (/), (*), (|), and ()—directly within tolerance values, for greater precision and clarity.

INTRODUCTION

WHAT'S NEW: DESIGN AND MODELING

- Drawings
- Assemblies
- Parts
- 3D Dimensioning and Tolerancing
- Electrical and Pipe Routing
- ECAD-MCAD Collaboration
- Rendering
- Import-Export
- User Experience
- Performance

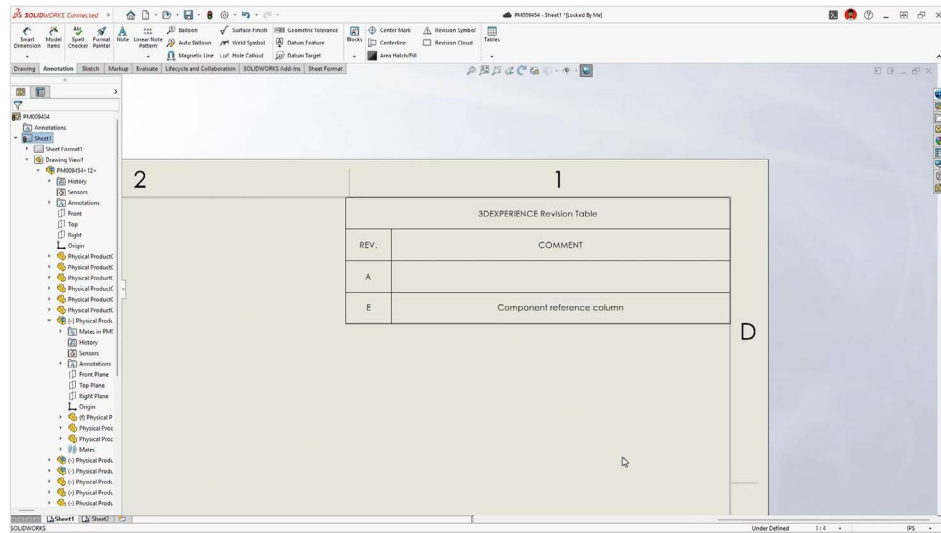
WHAT'S NEW: COLLABORATION AND DATA MANAGEMENT

WHAT'S NEW: MULTIDISCIPLINARY

- SOLIDWORKS PDM
- SOLIDWORKS Simulation
- SOLIDWORKS Electrical
- DraftSight

CONCLUSION

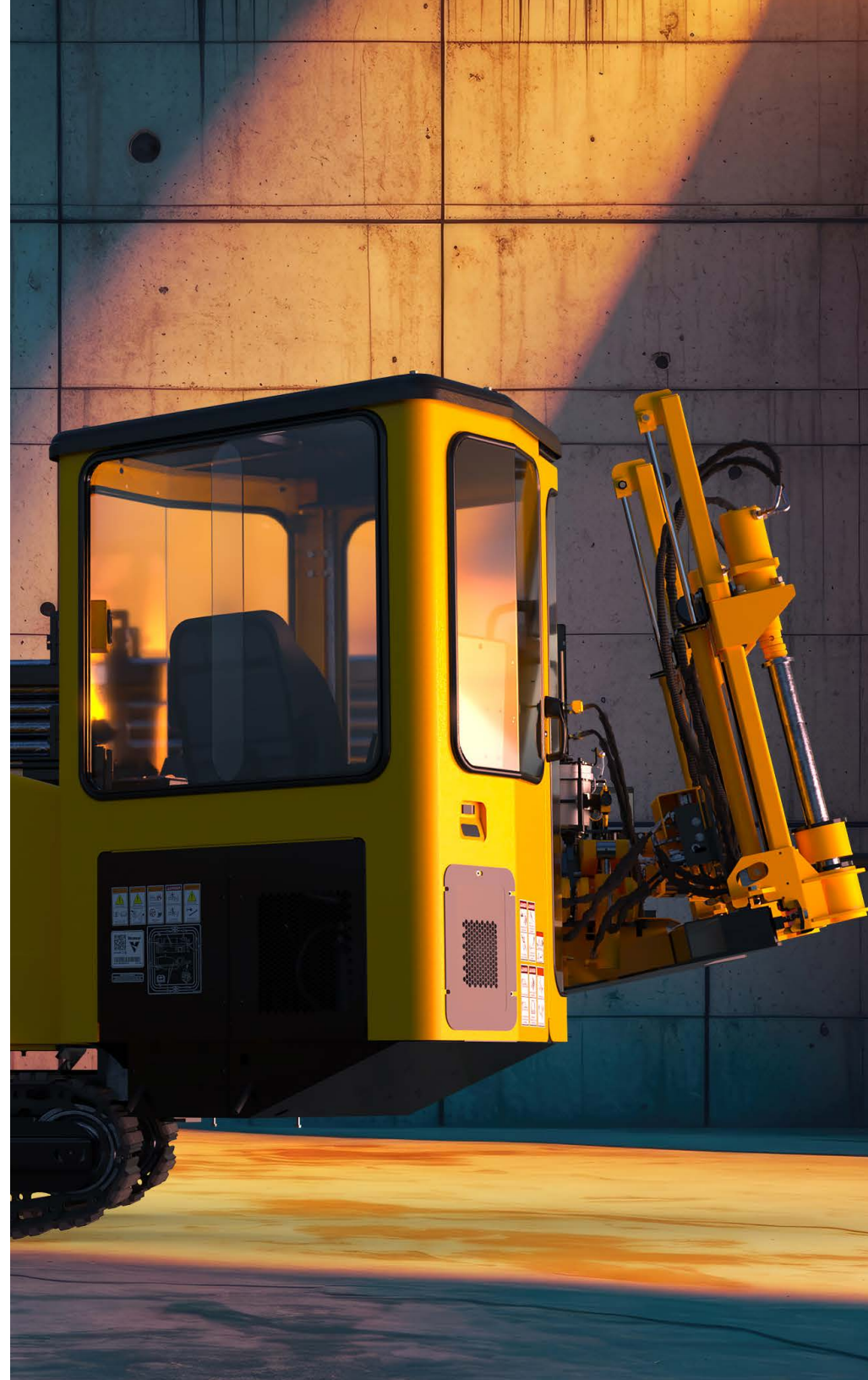
DRAWINGS



Lock First Row Visibility for Revision Tables

Maintain clarity of your revisions by always displaying the original creation date, ensuring that crucial information about your design's starting point is never lost.

Enable this under System Options, Document Properties where you usually choose your row count.



INTRODUCTION

WHAT'S NEW: DESIGN AND MODELING

- Drawings
- Assemblies
- Parts
- 3D Dimensioning and Tolerancing
- Electrical and Pipe Routing
- ECAD-MCAD Collaboration
- Rendering
- Import-Export
- User Experience
- Performance

WHAT'S NEW: COLLABORATION AND DATA MANAGEMENT

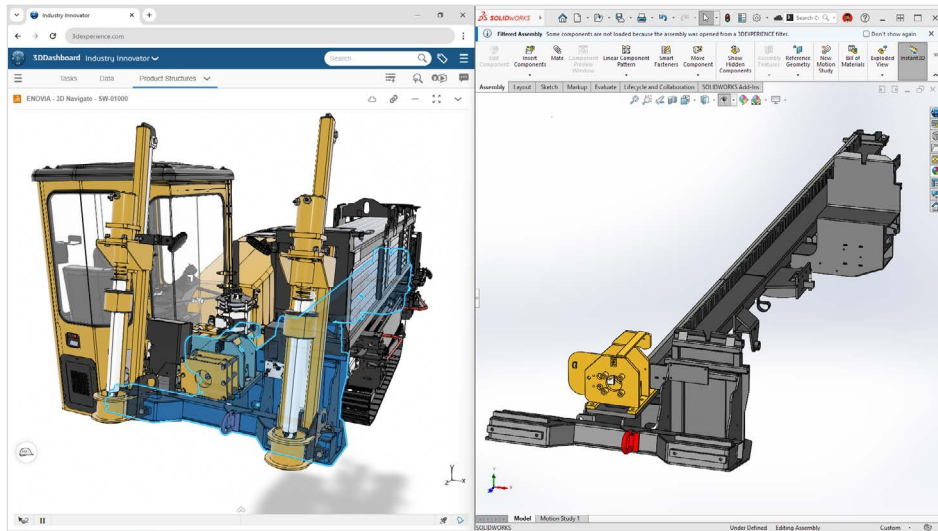
WHAT'S NEW: MULTIDISCIPLINARY

- SOLIDWORKS PDM
- SOLIDWORKS Simulation
- SOLIDWORKS Electrical
- DraftSight

CONCLUSION

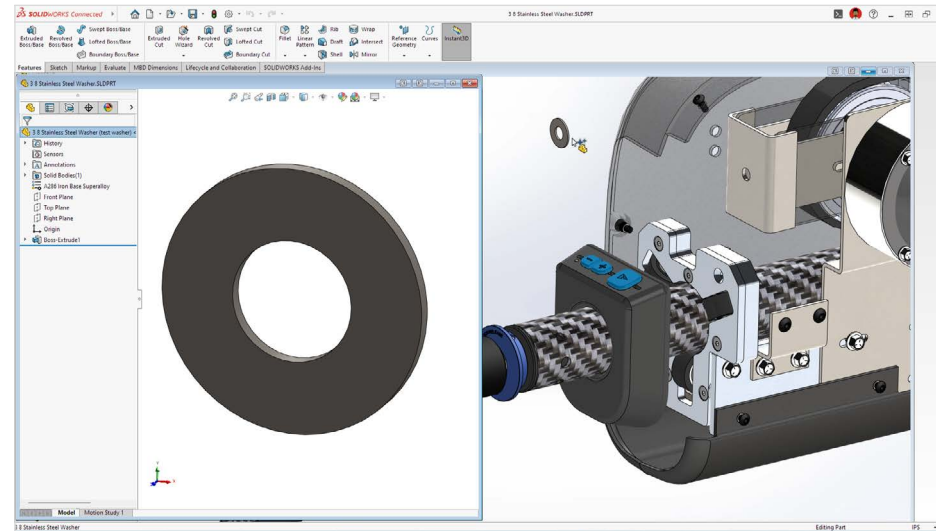
ASSEMBLIES

Boost assembly performance and efficiency with AI-powered fastener recognition, auto-mating, and more—saving time, reducing manual effort, and streamlining large assembly workflows.



Selective Loading of Assembly Components

Streamline your design process by selectively opening sections of your design structure from the **3DEXPERIENCE** platform. Visualize component relationships and use advanced filtering to find relevant components. After saving a Filter, you can open it in SOLIDWORKS Design. Save time and boost collaboration by allowing multiple designers to work efficiently on the same large assembly without interfering with each other.



AI Fastener Recognition and Automatic Mate Creation

When inserting components into assemblies, SOLIDWORKS will automatically recognize components that appear to be nuts, bolts, or washers as fasteners, and automatically assemble them.

This capability also extends to non-SOLIDWORKS toolbox components, saving time, reducing manual effort, and improving assembly accuracy.

INTRODUCTION

WHAT'S NEW: DESIGN AND MODELING

- Drawings
- Assemblies
- Parts
- 3D Dimensioning and Tolerancing
- Electrical and Pipe Routing
- ECAD-MCAD Collaboration
- Rendering
- Import-Export
- User Experience
- Performance

WHAT'S NEW: COLLABORATION AND DATA MANAGEMENT

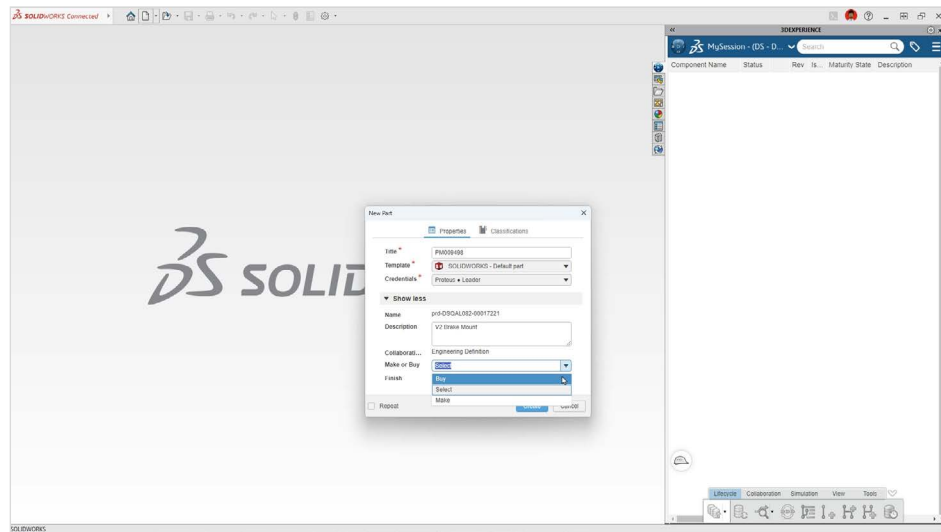
WHAT'S NEW: MULTIDISCIPLINARY

- SOLIDWORKS PDM
- SOLIDWORKS Simulation
- SOLIDWORKS Electrical
- DraftSight

CONCLUSION

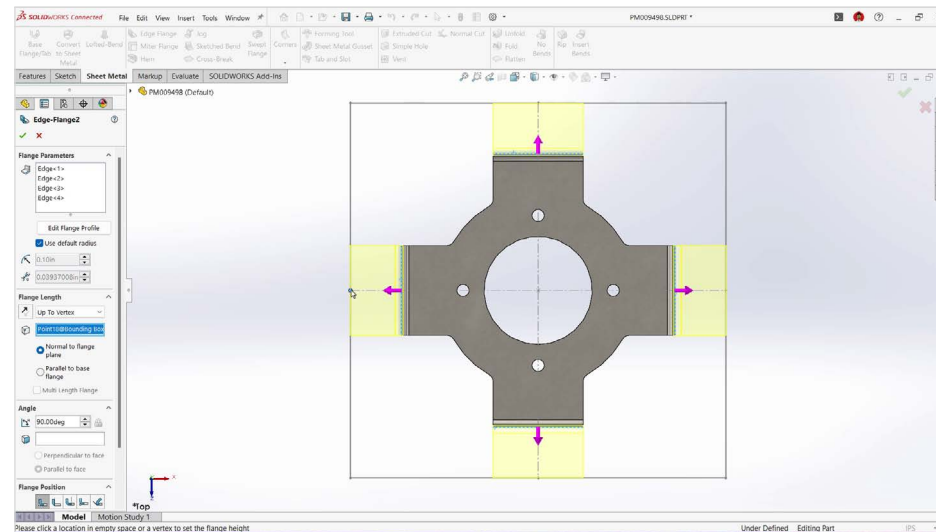
PARTS

Simplify complex tasks, reduce setup time, and gain more control and flexibility throughout the design process with streamlined Physical Product creation, simpler definition of base and edge flange start and end points in sheet metal modeling, faster sketching with easy square geometry creation, and more.



Create Physical Products with Attributes

Similar to creating a SOLIDWORKS part, assembly, or drawing, you now have the option to create a Physical Product on the platform. Streamline Physical Product creation by adding key attributes, such as component descriptions, such as project number and project name—enhancing data completeness beyond just CAD geometry.



Sketch Point as an End Point for Flange

Gain greater flexibility in sheet metal design by using a sketch point to define the end of an edge flange, eliminating the need for workaround methods. When creating edge flanges for sheet metal parts, you can now define the length of the edge flange using a sketch point. In the Sheet Metal menu, go to Edge Flange, choose Up to Vertex under the Flange length, and pick a sketch point on the model that you previously created.

INTRODUCTION

WHAT'S NEW: DESIGN AND MODELING

- Drawings
- Assemblies
- Parts
- 3D Dimensioning and Tolerancing
- Electrical and Pipe Routing
- ECAD-MCAD Collaboration
- Rendering
- Import-Export
- User Experience
- Performance

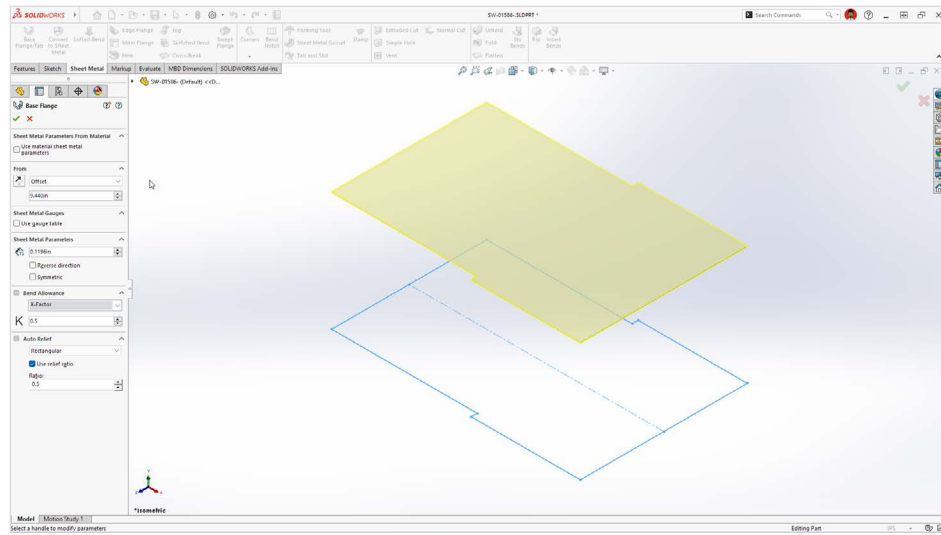
WHAT'S NEW: COLLABORATION AND DATA MANAGEMENT

WHAT'S NEW: MULTIDISCIPLINARY

- SOLIDWORKS PDM
- SOLIDWORKS Simulation
- SOLIDWORKS Electrical
- DraftSight

CONCLUSION

PARTS



Start Conditions for Sheet Metal Base Flange

A top 10 user request, this enhancement adds a new From option in the Base Flange PropertyManager, enabling you to define a custom starting point for the base flange and eliminating the need for workaround methods.



INTRODUCTION

WHAT'S NEW: DESIGN AND MODELING

- Drawings
- Assemblies
- Parts
- 3D Dimensioning and Tolerancing
- Electrical and Pipe Routing
- ECAD-MCAD Collaboration
- Rendering
- Import-Export
- User Experience
- Performance

WHAT'S NEW: COLLABORATION AND DATA MANAGEMENT

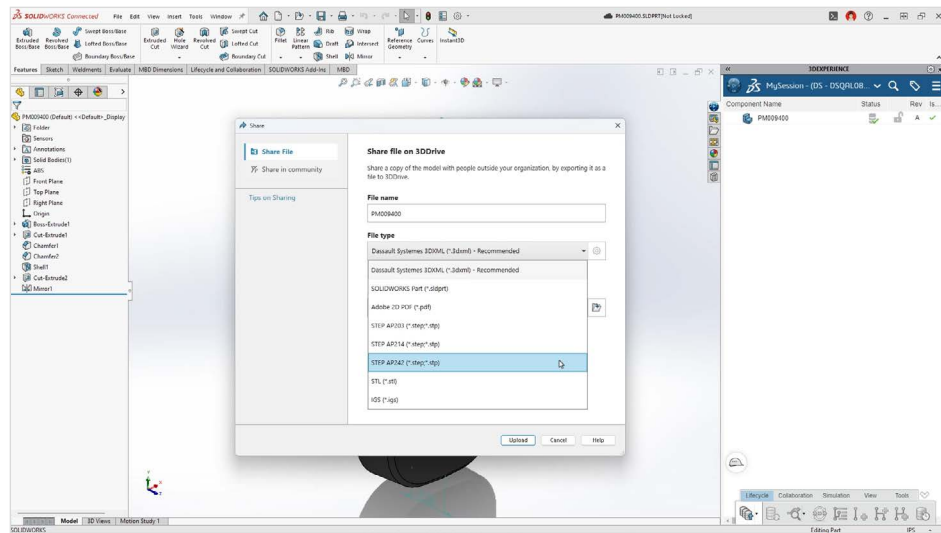
WHAT'S NEW: MULTIDISCIPLINARY

- SOLIDWORKS PDM
- SOLIDWORKS Simulation
- SOLIDWORKS Electrical
- DraftSight

CONCLUSION

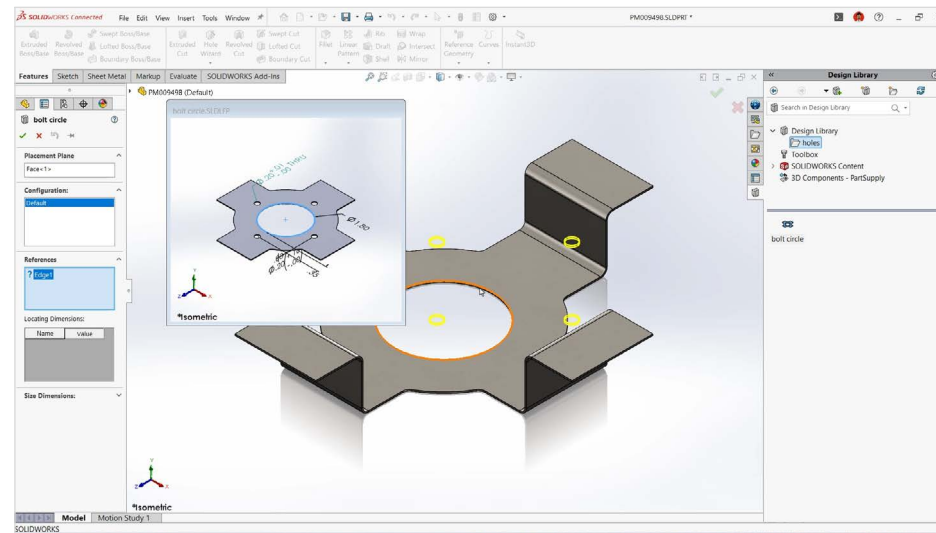
3D DIMENSIONING AND TOLERANCING

Improve model-based design efficiency and clarity with enhanced STEP AP242 model sharing, automatic retention of DimXpert dimensions on library features, and greater control over annotations—streamlining collaboration, saving time, and improving design review.



STEP AP242 Model Sharing with the SOLIDWORKS MBD Add-in Enabled

Improve collaboration and data exchange by sharing models in the STEP AP242 format, which combines 3D CAD geometry with Product and Manufacturing Information (PMI) for a more complete, streamlined, and interoperable workflow. Once you enable the SOLIDWORKS MBD add-in you'll find the STEP AP242 under File type in the Share dialog.



DimXpert Dimensions with Library Features

Save DimXpert model-based definition dimensions to library feature parts in your Library with a new option to include model-based definition (MBD) dimensions. This enables you to reuse them when a library feature is applied to a model, saving time and promoting standardization over having to detail the feature after placement.

INTRODUCTION

WHAT'S NEW: DESIGN AND MODELING

- Drawings
- Assemblies
- Parts
- 3D Dimensioning and Tolerancing
- Electrical and Pipe Routing
- ECAD-MCAD Collaboration
- Rendering
- Import-Export
- User Experience
- Performance

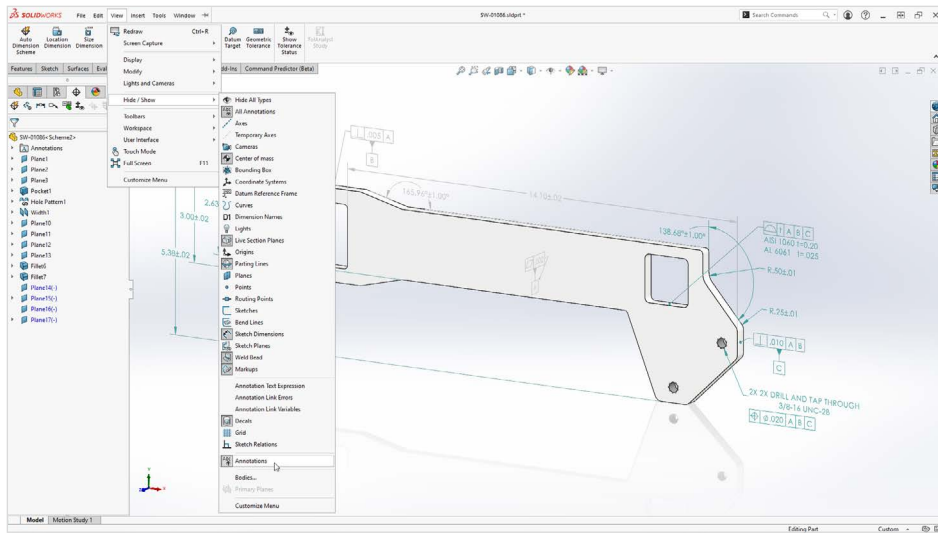
WHAT'S NEW: COLLABORATION AND DATA MANAGEMENT

WHAT'S NEW: MULTIDISCIPLINARY

- SOLIDWORKS PDM
- SOLIDWORKS Simulation
- SOLIDWORKS Electrical
- DraftSight

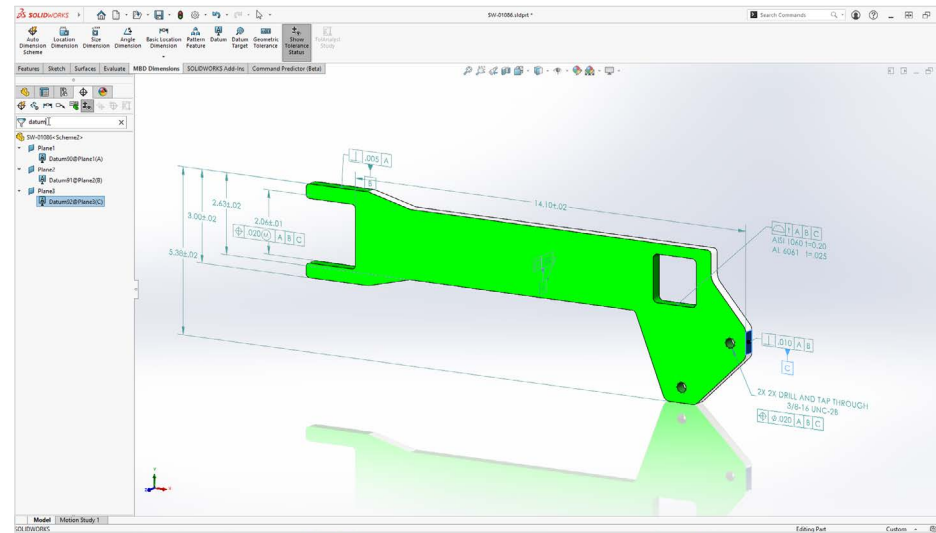
CONCLUSION

3D DIMENSIONING AND TOLERANCING



Hiding and Showing Annotations in Parts and Assemblies

Gain better control over your design views by selectively hiding or showing DimXpert annotations, enhancing clarity and focus during modeling and review.



Filter for DimXpertManager

Quickly locate specific DimXpert features using a new filter bar, improving navigation and efficiency when managing dimensions.

INTRODUCTION

WHAT'S NEW: DESIGN AND MODELING

- Drawings
- Assemblies
- Parts
- 3D Dimensioning and Tolerancing
- Electrical and Pipe Routing
- ECAD-MCAD Collaboration
- Rendering
- Import-Export
- User Experience
- Performance

WHAT'S NEW: COLLABORATION AND DATA MANAGEMENT

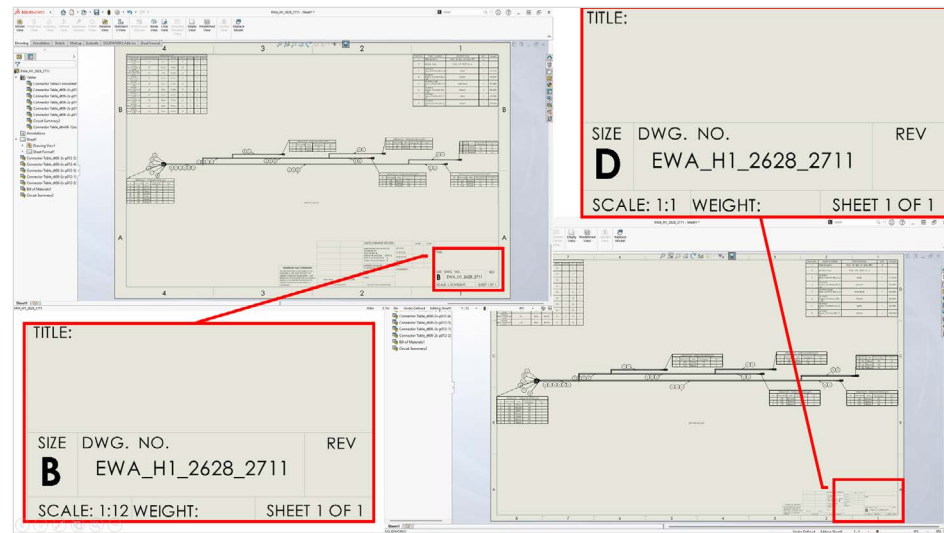
WHAT'S NEW: MULTIDISCIPLINARY

- SOLIDWORKS PDM
- SOLIDWORKS Simulation
- SOLIDWORKS Electrical
- DraftSight

CONCLUSION

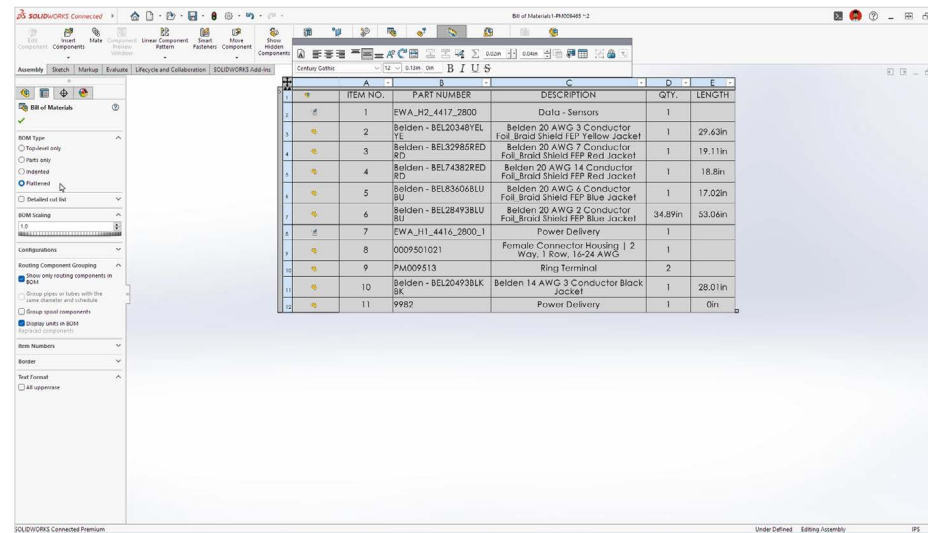
ELECTRICAL AND PIPE ROUTING

Simplify electrical, pipe and tube route design and documentation with automatic drawing template scaling, combined BOMs from multiple route subassemblies, and support for both part and assembly-based clips—improving flexibility, accuracy, and efficiency across your projects.



Switch Drawing Templates in Flattened Drawing

Quickly change the drawing template size in flattened views with automatic scaling, streamlining layout adjustments and saving time during documentation updates.



Combine Routing BOMs from Multiple Route Sub-assemblies

Streamline documentation and procurement by consolidating cable lengths, accessories, and splices across multiple routing subassemblies into a single routing BOM, providing a clear total for each item used throughout the design.

INTRODUCTION

WHAT'S NEW: DESIGN AND MODELING

- Drawings
- Assemblies
- Parts
- 3D Dimensioning and Tolerancing
- Electrical and Pipe Routing
- ECAD-MCAD Collaboration
- Rendering
- Import-Export
- User Experience
- Performance

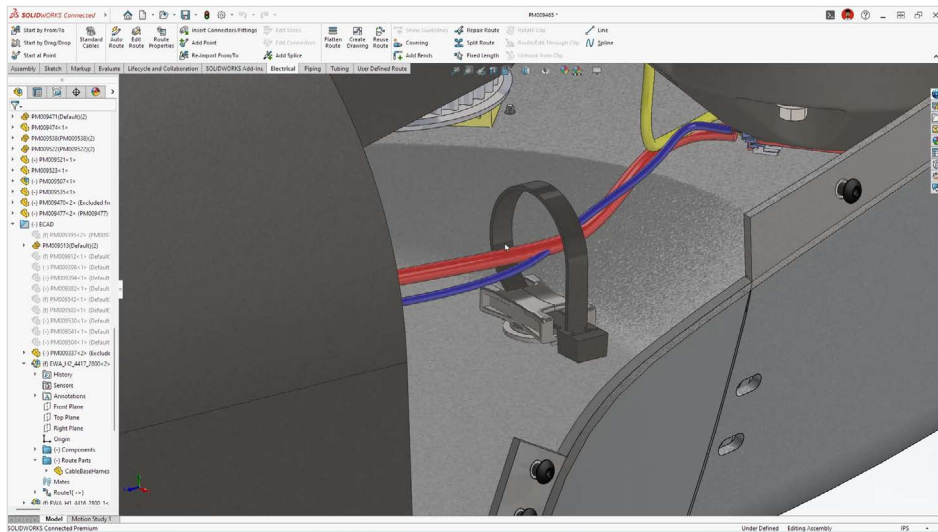
WHAT'S NEW: COLLABORATION AND DATA MANAGEMENT

WHAT'S NEW: MULTIDISCIPLINARY

- SOLIDWORKS PDM
- SOLIDWORKS Simulation
- SOLIDWORKS Electrical
- DraftSight

CONCLUSION

ELECTRICAL AND PIPE ROUTING



Support for Assembly Clips in Routing

Improve route management by enabling pipe, tube, and electrical paths to use both part and assembly-based clips, mounts, or hangers, enhancing accuracy and flexibility in routing design.



INTRODUCTION

WHAT'S NEW: DESIGN AND MODELING

- Drawings
- Assemblies
- Parts
- 3D Dimensioning and Tolerancing
- Electrical and Pipe Routing
- ECAD-MCAD Collaboration
- Rendering
- Import-Export
- User Experience
- Performance

WHAT'S NEW: COLLABORATION AND DATA MANAGEMENT

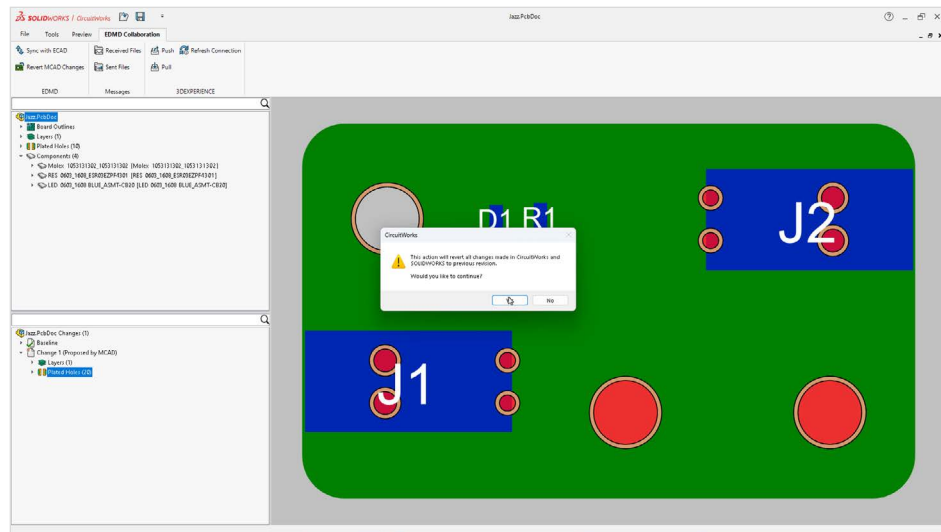
WHAT'S NEW: MULTIDISCIPLINARY

- SOLIDWORKS PDM
- SOLIDWORKS Simulation
- SOLIDWORKS Electrical
- DraftSight

CONCLUSION

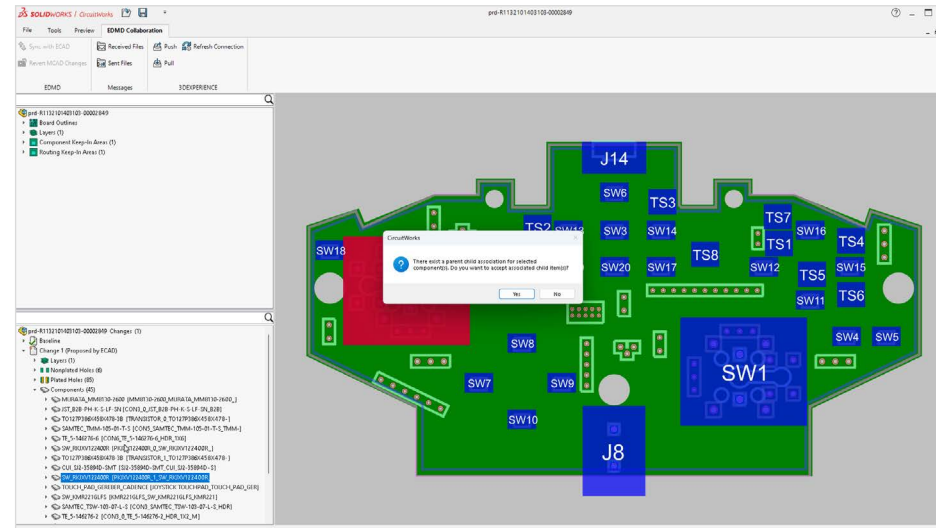
ECAD-MCAD COLLABORATION

Strengthen ECAD-MCAD collaboration by improving parent-child data tracking, the ability to review and undo MCAD changes before ECAD implementation and ensure smooth workflow after SOLIDWORKS restarts—together boosting design accuracy, minimizing rework, and maximizing productivity.



Ability to Overwrite Previous Push in IDX 3.0

Keep CircuitWorks and SOLIDWORKS Design in sync with the ability to undo the latest IDX-based MCAD changes in CircuitWorks and revert to older versions. When MCAD proposes a change, you can reverse it in the EDMD Collaboration section if ECAD has not processed the task. This restores both SOLIDWORKS Design and CircuitWorks to the last synchronized state, improving collaboration and reducing errors and rework.



Parent-Child Relationship Support in IDX3.0

Easily maintain the parent-child relationship when using IDX files for ECAD-MCAD collaboration. CircuitWorks now supports parent-child associations between components and other board items, such as keep-in, keep-out, plated holes, and non-plated holes, when interacting with IDX 3.0 files. You can accept or reject changes to these items from either ECAD or MCAD, providing the ability to sync both items in a single action. If you accept or reject changes at the top level, you can sync those changes at the lower level, if needed, and vice versa.

When modifying parent components in MCAD, all related child items are updated automatically during the export to CircuitWorks.

INTRODUCTION

WHAT'S NEW: DESIGN AND MODELING

- Drawings
- Assemblies
- Parts
- 3D Dimensioning and Tolerancing
- Electrical and Pipe Routing
- ECAD-MCAD Collaboration
- Rendering
- Import-Export
- User Experience
- Performance

WHAT'S NEW: COLLABORATION AND DATA MANAGEMENT

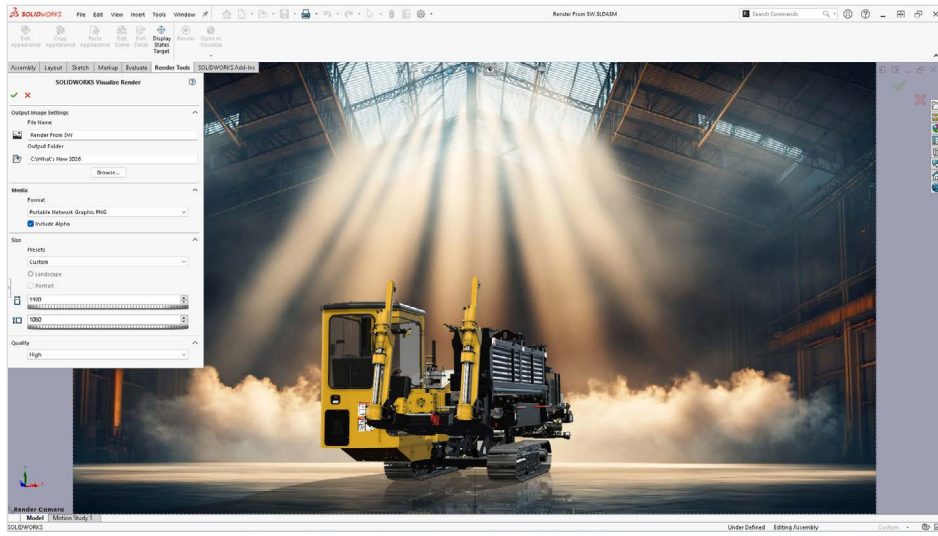
WHAT'S NEW: MULTIDISCIPLINARY

- SOLIDWORKS PDM
- SOLIDWORKS Simulation
- SOLIDWORKS Electrical
- DraftSight

CONCLUSION

RENDERING

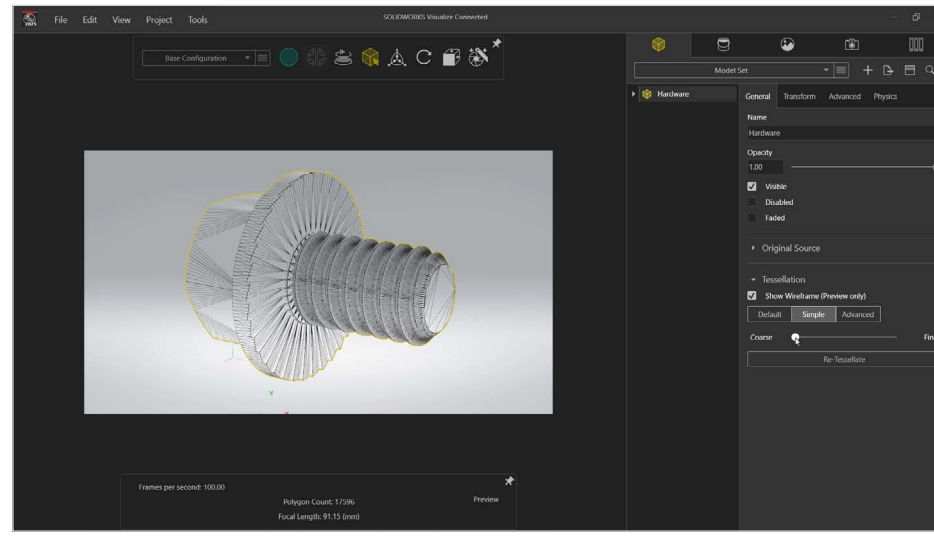
Improve workflow efficiency with the integrated SOLIDWORKS Visualize rendering solution in SOLIDWORKS Design, improved tessellation control, and Denoiser support in CPU Render mode—delivering high-impact visuals with less effort.



Leverage SOLIDWORKS Visualize directly from within SOLIDWORKS

Quickly produce photorealistic renderings directly within SOLIDWORKS Design using SOLIDWORKS Visualize, enhancing design presentation and decision-making with high-quality visuals.

By enabling the SOLIDWORKS Visualize add-in, you can create renderings directly from SOLIDWORKS Design with options for Size, File Format, and Quality.



Tessellation Control and Import Performance Improvements

Optimize your workflow by balancing geometry quality and performance with tessellation control giving you more control over the import quality, with additional options to enable you to import higher-quality models faster.

You'll find a variety of Mesh Refinement settings, including Default, Simple, and Advanced, that enable more granular control over tessellation to find the ideal balance of quality and performance.

INTRODUCTION

WHAT'S NEW: DESIGN AND MODELING

- Drawings
- Assemblies
- Parts
- 3D Dimensioning and Tolerancing
- Electrical and Pipe Routing
- ECAD-MCAD Collaboration
- Rendering
- Import-Export
- User Experience
- Performance

WHAT'S NEW: COLLABORATION AND DATA MANAGEMENT

WHAT'S NEW: MULTIDISCIPLINARY

- SOLIDWORKS PDM
- SOLIDWORKS Simulation
- SOLIDWORKS Electrical
- DraftSight

CONCLUSION

RENDERING



Support Denoiser in CPU Render Mode

Accelerate high-quality rendering by enabling the Denoiser in CPU mode, reducing noise in fewer passes.



INTRODUCTION

WHAT'S NEW: DESIGN AND MODELING

- Drawings
- Assemblies
- Parts
- 3D Dimensioning and Tolerancing
- Electrical and Pipe Routing
- ECAD-MCAD Collaboration
- Rendering
- Import-Export
- User Experience
- Performance

WHAT'S NEW: COLLABORATION AND DATA MANAGEMENT

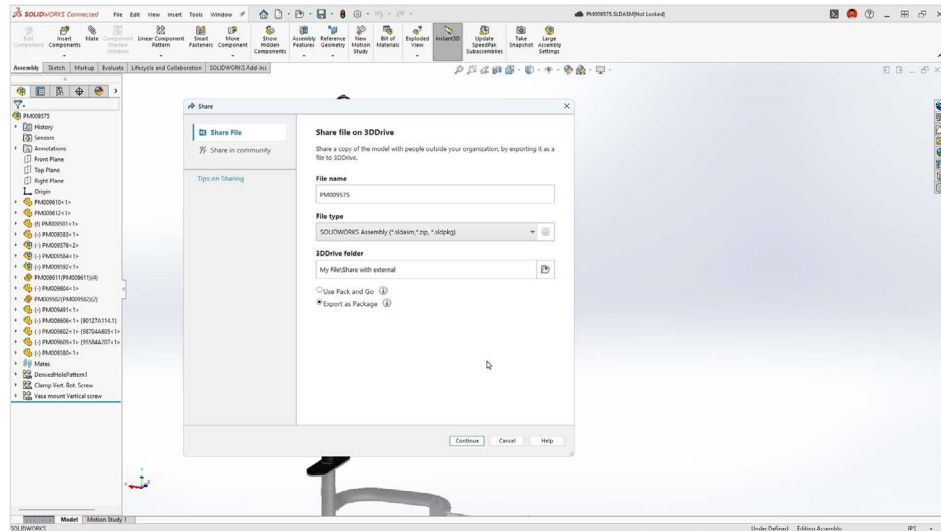
WHAT'S NEW: MULTIDISCIPLINARY

- SOLIDWORKS PDM
- SOLIDWORKS Simulation
- SOLIDWORKS Electrical
- DraftSight

CONCLUSION

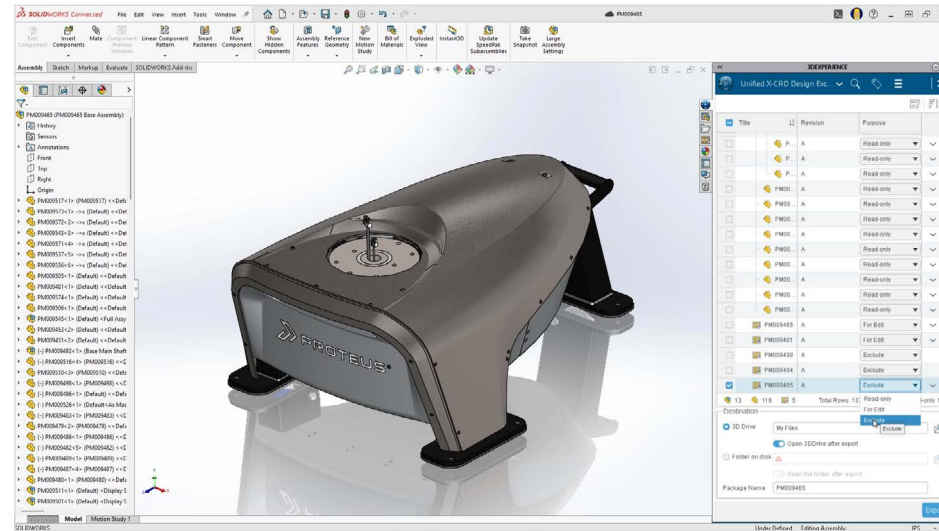
IMPORT - EXPORT

Accelerate workflows with direct package exports directly from the Share dialog, save time by selectively including drawings in export packages and simplify complex imported multibody parts with advanced selection tools.



Export as Package from Share

Simplify and accelerate file sharing with the ability to export packages directly from the Share dialog, improving efficiency and collaboration. The Export as a Package option allows you to share a package with all referenced files with external stakeholders who can modify the files in SOLIDWORKS Design.



Export Package with Selected Drawings

Save time and streamline exports by choosing whether to include drawings in your package, giving you greater control and flexibility over shared content.

INTRODUCTION

WHAT'S NEW: DESIGN AND MODELING

- Drawings
- Assemblies
- Parts
- 3D Dimensioning and Tolerancing
- Electrical and Pipe Routing
- ECAD-MCAD Collaboration
- Rendering
- Import-Export
- User Experience
- Performance

WHAT'S NEW: COLLABORATION AND DATA MANAGEMENT

WHAT'S NEW: MULTIDISCIPLINARY

- SOLIDWORKS PDM
- SOLIDWORKS Simulation
- SOLIDWORKS Electrical
- DraftSight

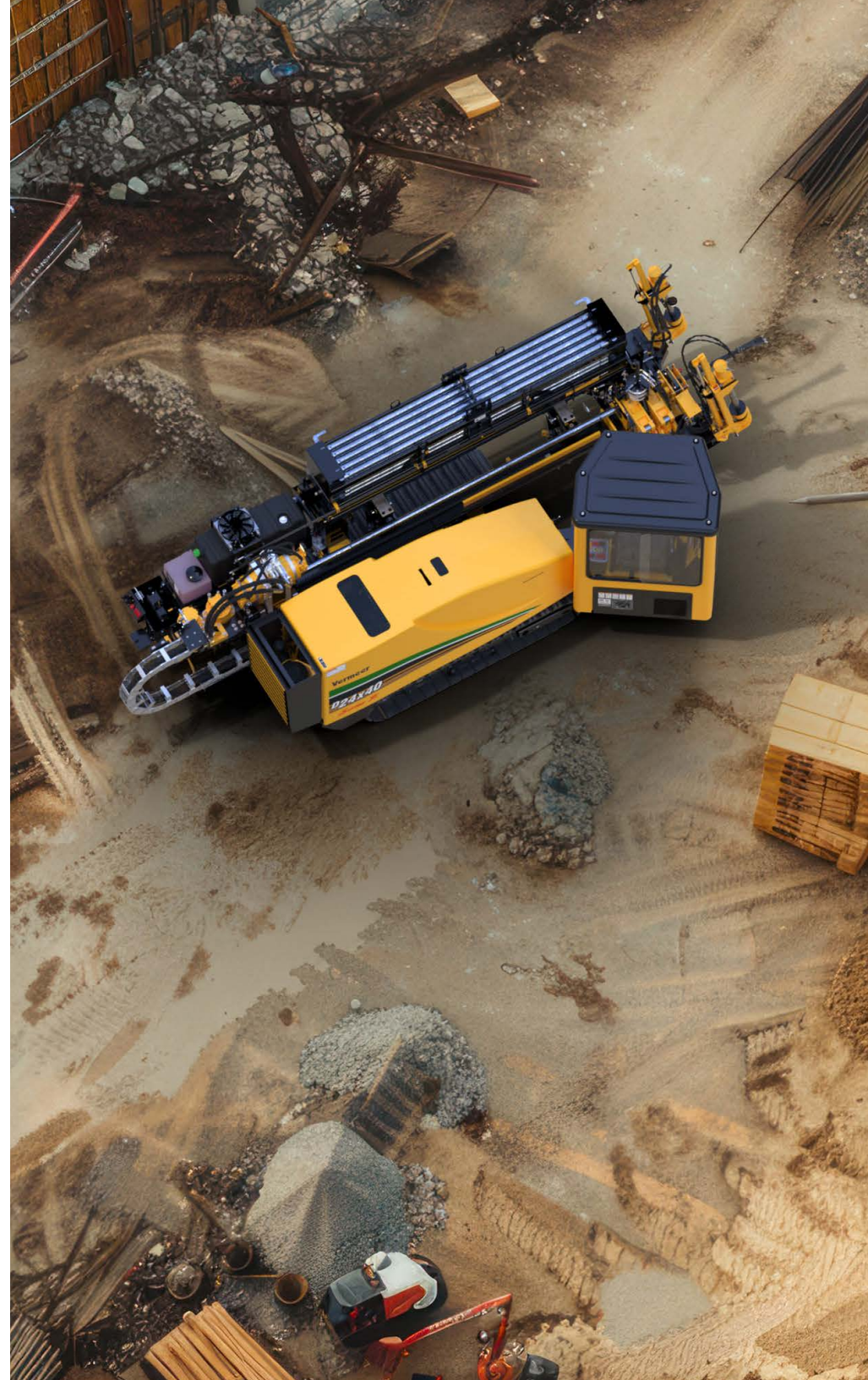
CONCLUSION

IMPORT - EXPORT



Selection Filter for Large Number of Feature Bodies

Simplify complex multi-body parts more quickly by using advanced selection tools, such as Select Identical Bodies, Select Bodies by Size, and Volume Select, to efficiently isolate and manage bodies based on similarity or size, which is especially useful for large or imported parts.



INTRODUCTION

WHAT'S NEW: DESIGN AND MODELING

- Drawings
- Assemblies
- Parts
- 3D Dimensioning and Tolerancing
- Electrical and Pipe Routing
- ECAD-MCAD Collaboration
- Rendering
- Import-Export
- User Experience
- Performance

WHAT'S NEW: COLLABORATION AND DATA MANAGEMENT

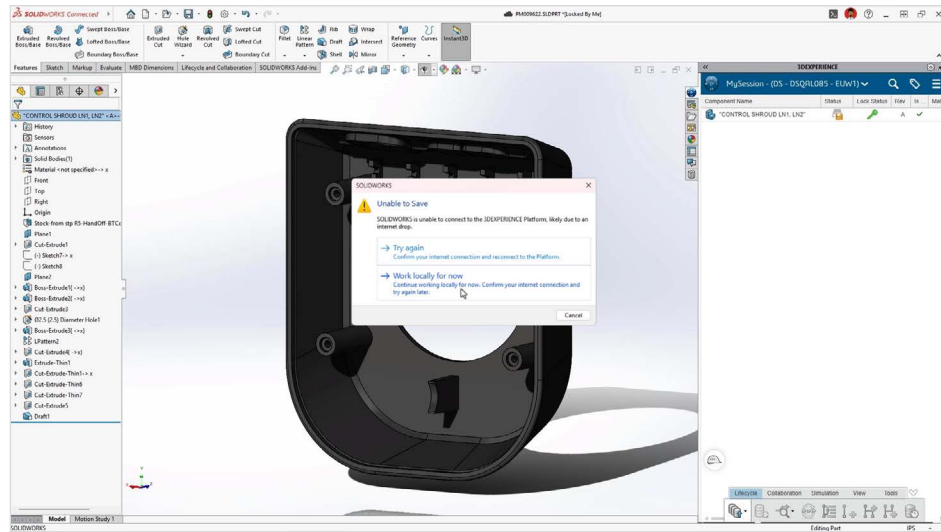
WHAT'S NEW: MULTIDISCIPLINARY

- SOLIDWORKS PDM
- SOLIDWORKS Simulation
- SOLIDWORKS Electrical
- DraftSight

CONCLUSION

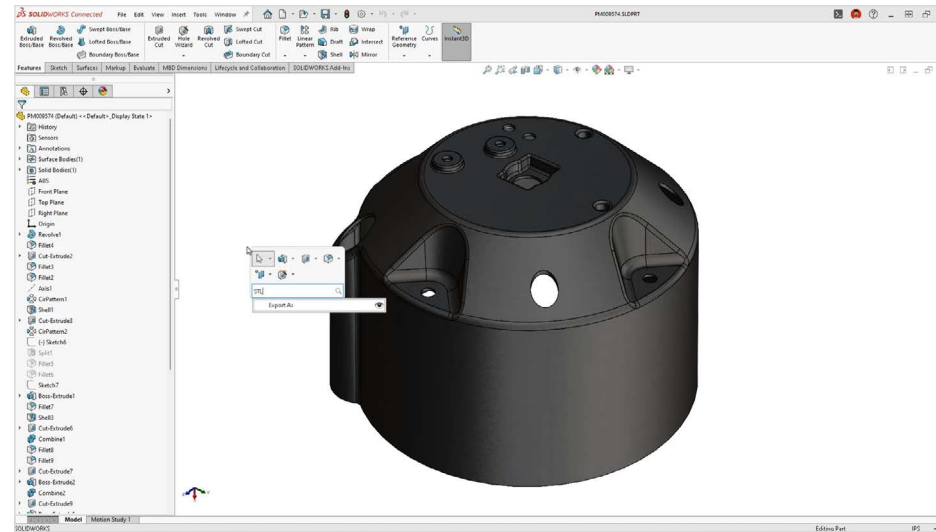
USER EXPERIENCE

Maintain productivity and focus with enhancements that support uninterrupted work and efficient design. Stay on track during connectivity disruptions with automatic switching to offline mode, streamline your workflow with a simplified interface that highlights commonly used commands, and get up to speed faster with enhanced command search allowing you to use your own keywords.



Automatic Unplanned Offline Mode

Stay productive during unexpected connectivity disruptions by automatically transitioning to temporary offline mode ensuring uninterrupted access to your designs, without the need to save, exit and start a new session.



Enhanced Command Search

Boost productivity and get up to speed faster with the ability to quickly locate commands using an expanded set of keywords, including terms from other CAD software.

INTRODUCTION

WHAT'S NEW: DESIGN AND MODELING

- Drawings
- Assemblies
- Parts
- 3D Dimensioning and Tolerancing
- Electrical and Pipe Routing
- ECAD-MCAD Collaboration
- Rendering
- Import-Export
- User Experience
- Performance

WHAT'S NEW: COLLABORATION AND DATA MANAGEMENT

WHAT'S NEW: MULTIDISCIPLINARY

- SOLIDWORKS PDM
- SOLIDWORKS Simulation
- SOLIDWORKS Electrical
- DraftSight

CONCLUSION

USER EXPERIENCE



Simplified Interface

Streamline your workflow with a cleaner, more intuitive interface that displays the most commonly used commands, helping new users focus on design, reduce distractions, and work more efficiently.

To activate the Simplified Interface, you can either open an existing document or start a new one. If you customize the interface while in Simplified Interface mode, SOLIDWORKS Design will save those customizations for future use of the simplified interface. You can also switch between Simplified Interface and the default interface.



INTRODUCTION

WHAT'S NEW: DESIGN AND MODELING

- Drawings
- Assemblies
- Parts
- 3D Dimensioning and Tolerancing
- Electrical and Pipe Routing
- ECAD-MCAD Collaboration
- Rendering
- Import-Export
- User Experience
- Performance

WHAT'S NEW: COLLABORATION AND DATA MANAGEMENT

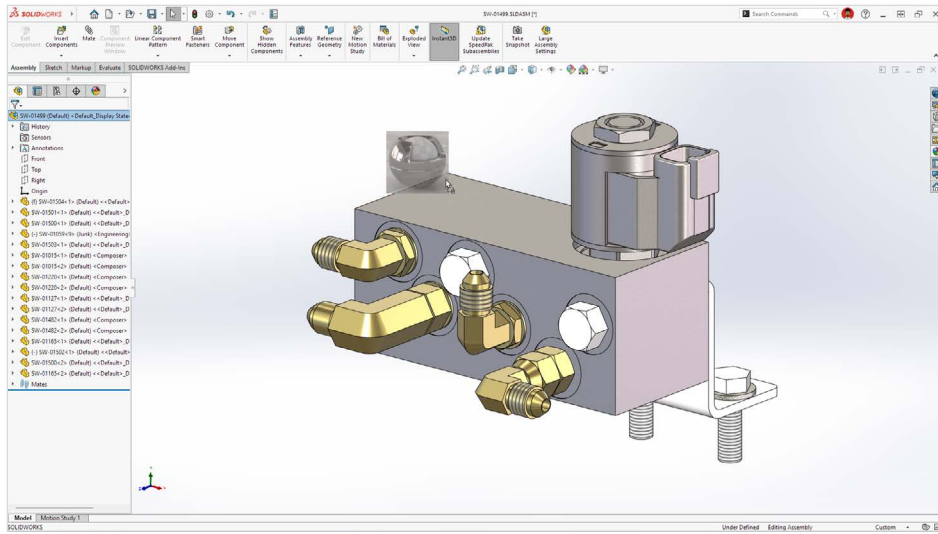
WHAT'S NEW: MULTIDISCIPLINARY

- SOLIDWORKS PDM
- SOLIDWORKS Simulation
- SOLIDWORKS Electrical
- DraftSight

CONCLUSION

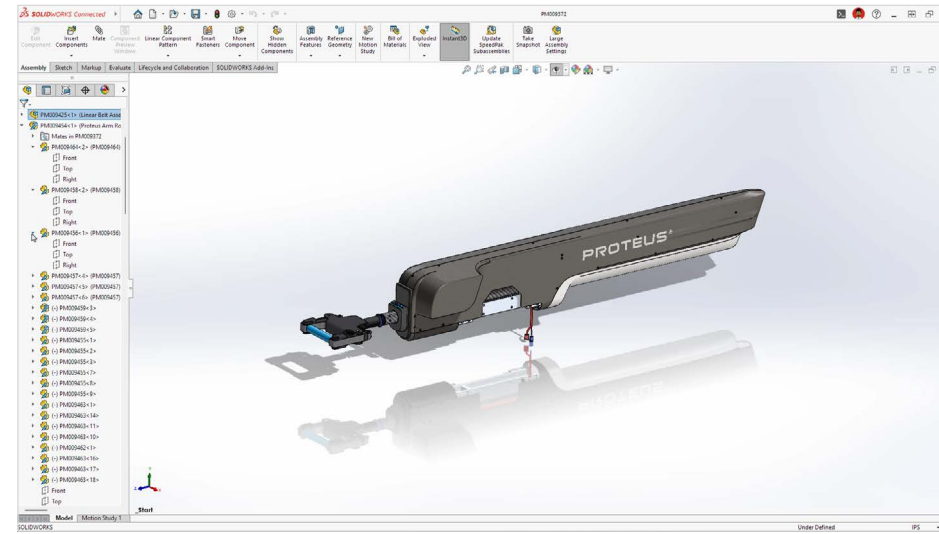
PERFORMANCE

Benefit from faster performance with smarter rebuild handling that skips cosmetic-only changes, faster rebuilds, and greater control over lightweight component loading.



Smarter Rebuild Recognition for Cosmetic Changes

Reduce assembly rebuild times by skipping rebuilds when only cosmetic changes are made to referenced components. A new Performance System option lets you prevent unnecessary rebuilds, improving overall efficiency.



Disable Auto-Resolve for Lightweight Components

Improve performance and save time when working with large assemblies with the ability to shut off auto-resolve and then open an assembly in Lightweight mode.

Under System Options, click FeatureManager, then shut off the auto-resolve option, go to Open, Lightweight, Open.

When you expand your assembly in the feature tree, you can view your components faster and resolve them later, giving you greater control over.

INTRODUCTION

WHAT'S NEW: DESIGN AND MODELING

- Drawings
- Assemblies
- Parts
- 3D Dimensioning and Tolerancing
- Electrical and Pipe Routing
- ECAD-MCAD Collaboration
- Rendering
- Import-Export
- User Experience
- Performance

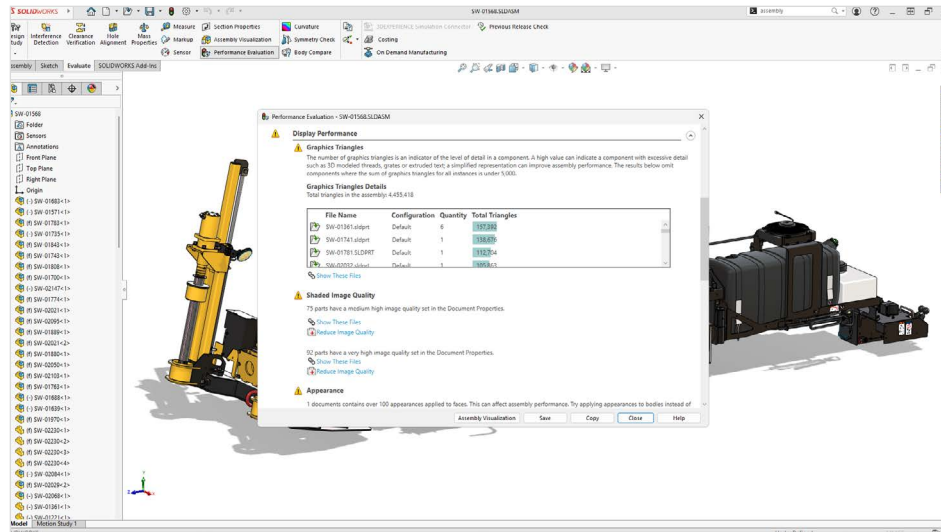
WHAT'S NEW: COLLABORATION AND DATA MANAGEMENT

WHAT'S NEW: MULTIDISCIPLINARY

- SOLIDWORKS PDM
- SOLIDWORKS Simulation
- SOLIDWORKS Electrical
- DraftSight

CONCLUSION

PERFORMANCE



Improved Graphics Rebuild Performance

Experience faster rebuilds by replacing full graphics rebuilds with incremental graphics updates.



INTRODUCTION

WHAT'S NEW: DESIGN AND MODELING

- Drawings
- Assemblies
- Parts
- 3D Dimensioning and Tolerancing
- Electrical and Pipe Routing
- ECAD-MCAD Collaboration
- Rendering
- Import-Export
- User Experience
- Performance

WHAT'S NEW: COLLABORATION AND DATA MANAGEMENT

WHAT'S NEW: MULTIDISCIPLINARY

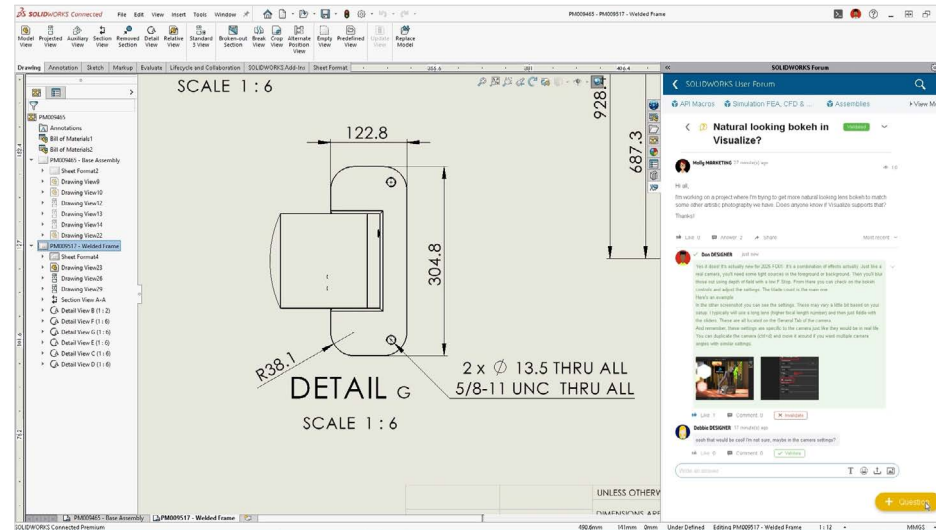
- SOLIDWORKS PDM
- SOLIDWORKS Simulation
- SOLIDWORKS Electrical
- DraftSight

CONCLUSION

WHAT'S NEW IN COLLABORATION AND DATA MANAGEMENT: ACCELERATE TIME TO MARKET

Accelerate teamwork and decision-making with powerful new collaboration and data management capabilities. Use AURA, AI-powered virtual companion integrated in the 3DEXPERIENCE platform, to instantly summarize and extract insights from community content (including Posts, Wikis, Questions, and Ideas), enabling faster understanding and smarter, more focused conversations. Collaborate more easily by accessing the SOLIDWORKS User Forum and sharing through 3DDrive and 3DSwym—all within SOLIDWORKS Design. Speed up collaboration and change management with real-time PLM property updates, the ability to share 3D markups from SOLIDWORKS Design, and traceable drawing stamps with user name and email.

The following enhancements apply to SOLIDWORKS Design Augmented, SOLIDWORKS Design Connected, and SOLIDWORKS Design with Collaborative Designer for SOLIDWORKS, as well as 3DSwymer and Collaborative Industry Innovator, unless stated otherwise.



Collaboration from within SOLIDWORKS

Effortlessly collaborate with industry peers by accessing the SOLIDWORKS User Forum directly from within SOLIDWORKS Design. Streamline collaboration by seamlessly sharing information using 3DDrive and 3DSwym directly from your SOLIDWORKS Design application, without worrying about cloud storage or data conversion issues.

INTRODUCTION

WHAT'S NEW: DESIGN AND MODELING

- Drawings
- Assemblies
- Parts
- 3D Dimensioning and Tolerancing
- Electrical and Pipe Routing
- ECAD-MCAD Collaboration
- Rendering
- Import-Export
- User Experience
- Performance

WHAT'S NEW: COLLABORATION AND DATA MANAGEMENT

WHAT'S NEW: MULTIDISCIPLINARY

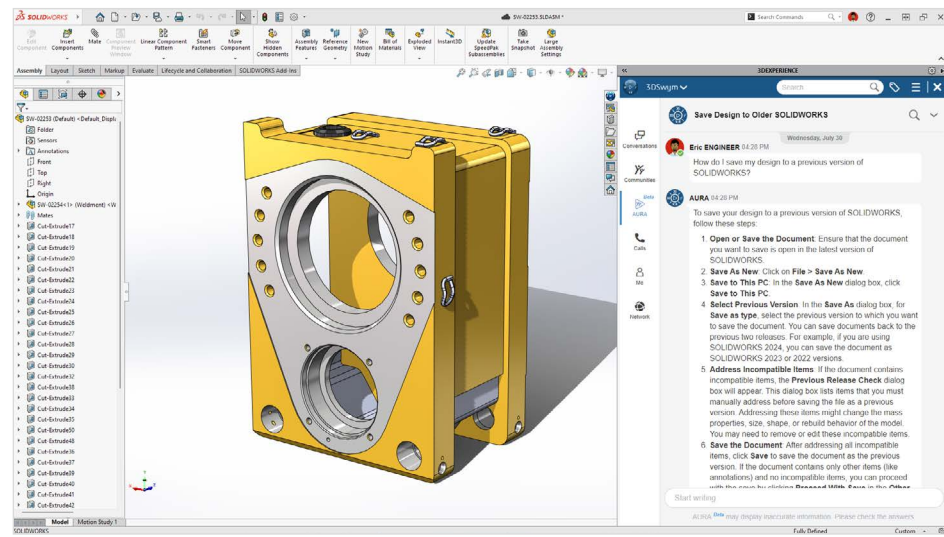
- SOLIDWORKS PDM
- SOLIDWORKS Simulation
- SOLIDWORKS Electrical
- DraftSight

CONCLUSION

WHAT'S NEW IN COLLABORATION AND DATA MANAGEMENT: ACCELERATE TIME TO MARKET

AURA Integration into 3DSwym

In SOLIDWORKS 2026 we're introducing AURA, an AI-powered virtual companion integrated into the **3DEXPERIENCE** platform, that enables organizations to continuously learn from past performance, refining their processes over time. It can analyze vast amounts of data quickly, summarizing key insights while providing links to source information for deeper analysis. AURA enables you to dive deep into data across the entire operation by learning, teaching, and performing tasks for you. AURA includes the following capabilities:



- **Updated Large Language Model**

AURA features the Mistral-Small-3.1 Large Language Model so you benefit from quicker, more accurate responses, sharper visual performance, improved function and tool-calling for complex workflows, and a secure, sovereign foundation for advanced use cases.

- **Summarize a Post on the Fly**

With AURA you can instantly summarize any Post, Wiki, Question, or Idea from the 3DSwym online communities, making it easier to grasp key points fast. Adjust the length to fit your needs, regenerate summaries, or copy with one click.

- **Start a Conversation Based on Specific Post or Community Context**

Start a conversation with AURA using the content of any Post, Wiki, Question, Idea from 3DSwym. By understanding the context up front, AURA delivers accurate, relevant responses. Regenerate or copy results effortlessly for faster, more informed decision-making.

INTRODUCTION

WHAT'S NEW: DESIGN AND MODELING

- Drawings
- Assemblies
- Parts
- 3D Dimensioning and Tolerancing
- Electrical and Pipe Routing
- ECAD-MCAD Collaboration
- Rendering
- Import-Export
- User Experience
- Performance

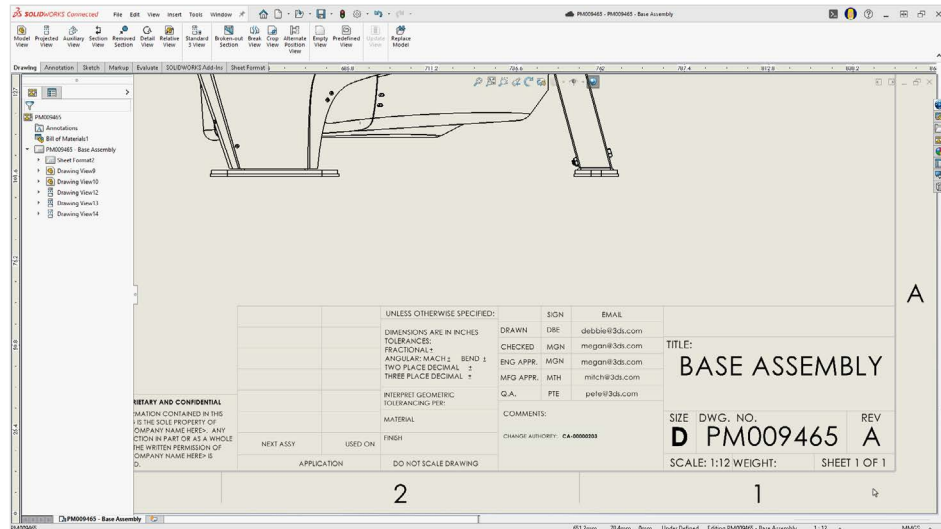
WHAT'S NEW: COLLABORATION AND DATA MANAGEMENT

WHAT'S NEW: MULTIDISCIPLINARY

- SOLIDWORKS PDM
- SOLIDWORKS Simulation
- SOLIDWORKS Electrical
- DraftSight

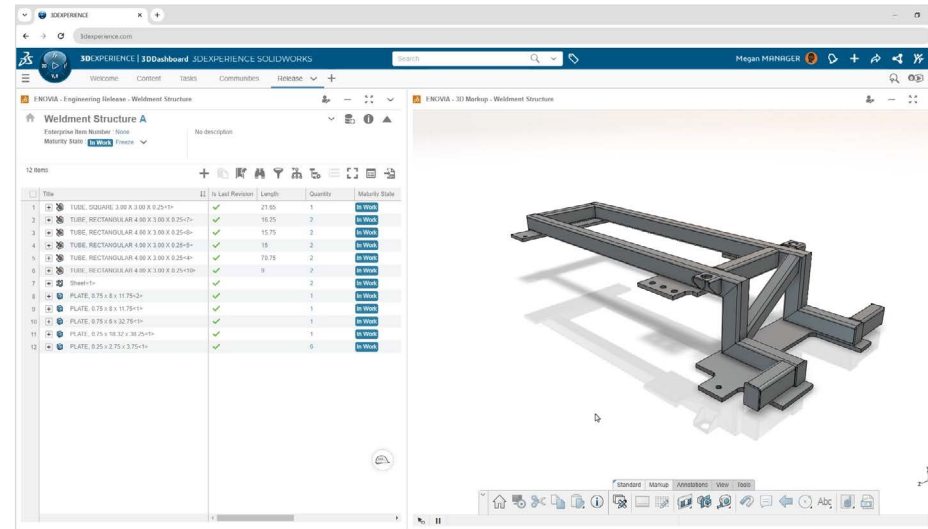
CONCLUSION

WHAT'S NEW IN COLLABORATION AND DATA MANAGEMENT: ACCELERATE TIME TO MARKET



Drawing Stamping with Maturity Status Information

Reflect real-time PLM property updates in drawings for accurate and seamless change management. Stamp drawings using the new extended attributes including user name and email address that display in 3DPlay. Improve traceability by stamping with user names and ensure stakeholders in the drawing release process can be easily contacted by including their email address.



Support for Cut Lists on the 3DEXPERIENCE Platform

Enhance design-to-manufacturing workflow efficiency with seamless cut list management, visualization, and EBOM/MBOM integration.

INTRODUCTION

WHAT'S NEW: DESIGN AND MODELING

- Drawings
- Assemblies
- Parts
- 3D Dimensioning and Tolerancing
- Electrical and Pipe Routing
- ECAD-MCAD Collaboration
- Rendering
- Import-Export
- User Experience
- Performance

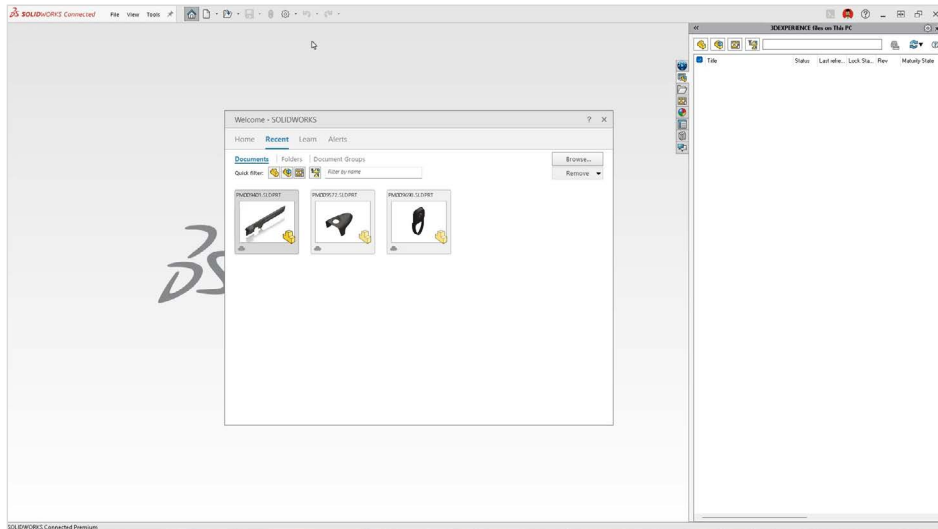
WHAT'S NEW: COLLABORATION AND DATA MANAGEMENT

WHAT'S NEW: MULTIDISCIPLINARY

- SOLIDWORKS PDM
- SOLIDWORKS Simulation
- SOLIDWORKS Electrical
- DraftSight

CONCLUSION

WHAT'S NEW IN COLLABORATION AND DATA MANAGEMENT: ACCELERATE TIME TO MARKET



Access to Recent Files From Active Tenant

Files under Recent have been improved to show only those relevant to the active tenant on the **3DEXPERIENCE** platform, even if they have been cleared from cache. This streamlines workflows and prevents duplications for users who work on multiple tenants.



INTRODUCTION

WHAT'S NEW: DESIGN AND MODELING

- Drawings
- Assemblies
- Parts
- 3D Dimensioning and Tolerancing
- Electrical and Pipe Routing
- ECAD-MCAD Collaboration
- Rendering
- Import-Export
- User Experience
- Performance

WHAT'S NEW: COLLABORATION AND DATA MANAGEMENT

WHAT'S NEW: MULTIDISCIPLINARY

- SOLIDWORKS PDM
- SOLIDWORKS Simulation
- SOLIDWORKS Electrical
- DraftSight

CONCLUSION

SOLUTIONS FOR EVERY PART OF YOUR BUSINESS: WHAT'S NEW IN DRAFTSIGHT, ELECTRICAL, PDM, AND SIMULATION

Product development is built on teamwork and requires multiple solutions. SOLIDWORKS enables multidisciplinary design by providing a unified platform and various tools for different design disciplines to collaborate and create cohesive products. Empower the whole team across product development disciplines with enhancements that help you streamline your drafting workflows with improved accuracy and clarity with the DraftSight® updates, increase data efficiency with the SOLIDWORKS PDM updates, ensure top performance and accuracy with the SOLIDWORKS Simulation updates, and streamline electrical design with SOLIDWORKS Electrical design solutions.

INTRODUCTION

WHAT'S NEW: DESIGN AND MODELING

- Drawings
 - Assemblies
 - Parts
 - 3D Dimensioning and Tolerancing
 - Electrical and Pipe Routing
 - ECAD-MCAD Collaboration
 - Rendering
 - Import-Export
 - User Experience
 - Performance
-

WHAT'S NEW: COLLABORATION AND DATA MANAGEMENT

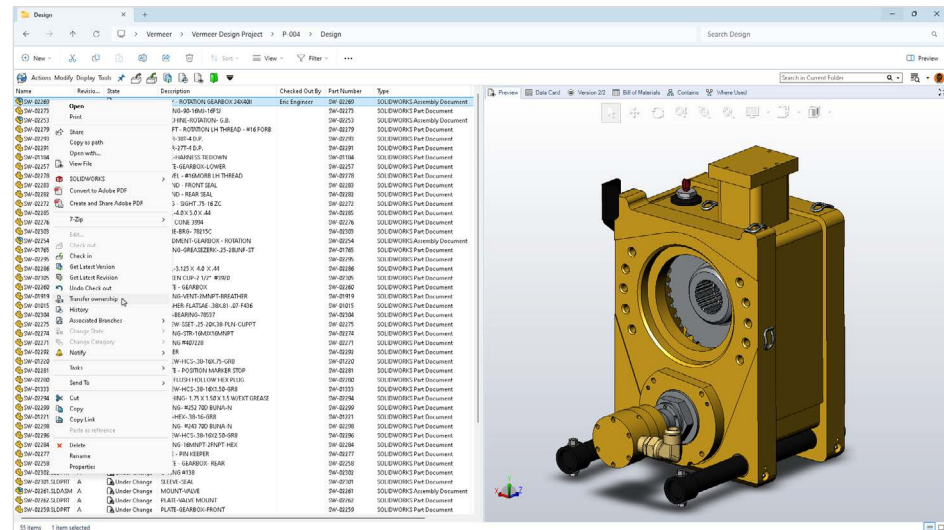
WHAT'S NEW: MULTIDISCIPLINARY

- SOLIDWORKS PDM
 - SOLIDWORKS Simulation
 - SOLIDWORKS Electrical
 - DraftSight
-

CONCLUSION

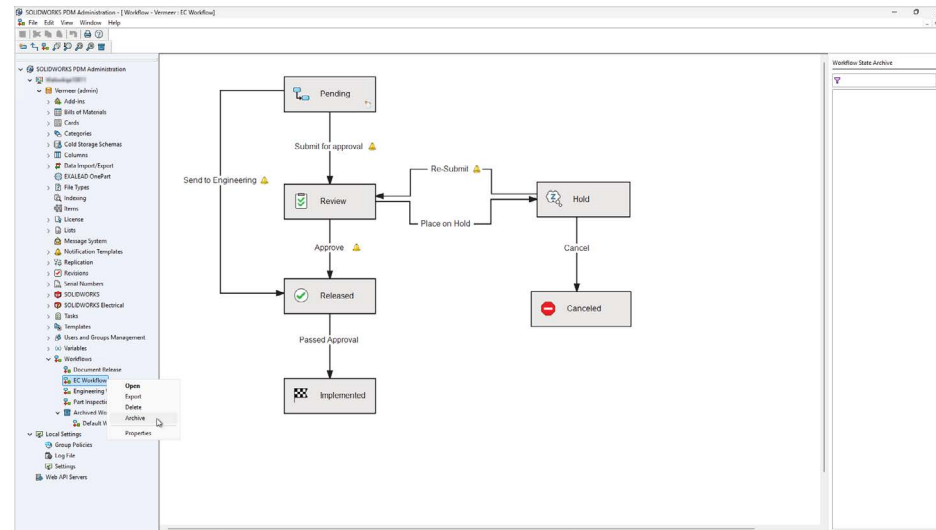
INCREASE DATA EFFICIENCY: WHAT'S NEW IN SOLIDWORKS PDM

Enable working from multiple machines and increase loss prevention by synchronizing local vault views. Improve workflow organization with the ability to archive entire workflows to prevent new files from entering them. Streamline folder access while maintaining security with the ability to access subfolders without requiring permission for the parent folders.



Synchronize Vault Views

Synchronize your local vault cache, including modified checked out files, on the archive server allowing access from different machines and preventing data loss due to hardware failure. This provides greater flexibility to work from different computers without loss of changes.



Workflow Archiving

Entire workflows can now be archived to prevent new files from entering them, providing greater control when introducing new workflows.

INTRODUCTION

WHAT'S NEW: DESIGN AND MODELING

- Drawings
- Assemblies
- Parts
- 3D Dimensioning and Tolerancing
- Electrical and Pipe Routing
- ECAD-MCAD Collaboration
- Rendering
- Import-Export
- User Experience
- Performance

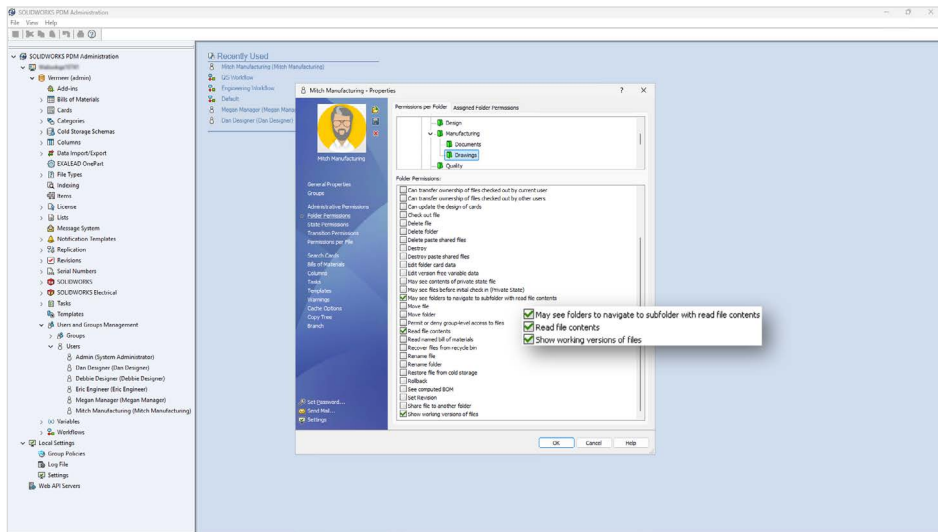
WHAT'S NEW: COLLABORATION AND DATA MANAGEMENT

WHAT'S NEW: MULTIDISCIPLINARY

- SOLIDWORKS PDM
- SOLIDWORKS Simulation
- SOLIDWORKS Electrical
- DraftSight

CONCLUSION

INCREASE DATA EFFICIENCY: WHAT'S NEW IN SOLIDWORKS PDM



Improved Folder Access Rights

Access subfolders even if you don't have permission to view parent folders in the hierarchy.



INTRODUCTION

WHAT'S NEW: DESIGN AND MODELING

- Drawings
- Assemblies
- Parts
- 3D Dimensioning and Tolerancing
- Electrical and Pipe Routing
- ECAD-MCAD Collaboration
- Rendering
- Import-Export
- User Experience
- Performance

WHAT'S NEW: COLLABORATION AND DATA MANAGEMENT

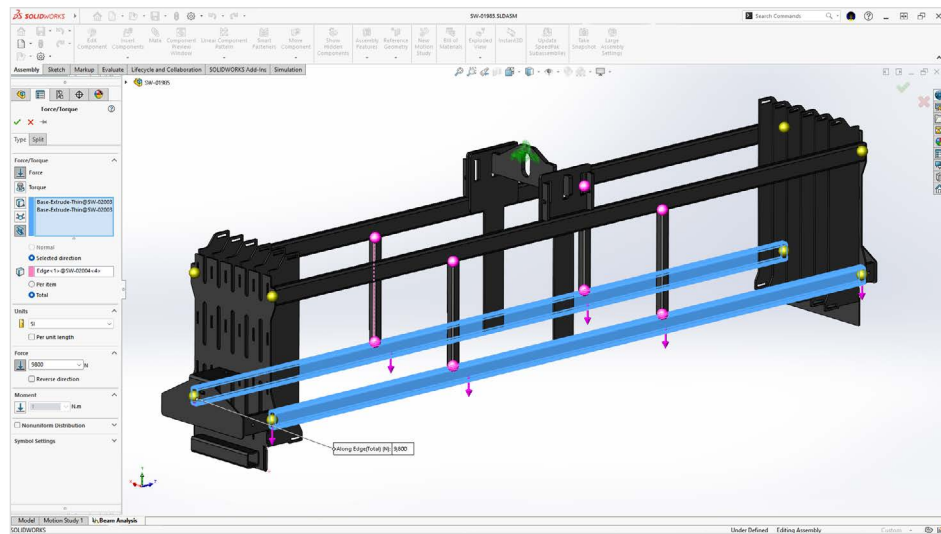
WHAT'S NEW: MULTIDISCIPLINARY

- SOLIDWORKS PDM
- SOLIDWORKS Simulation
- SOLIDWORKS Electrical
- DraftSight

CONCLUSION

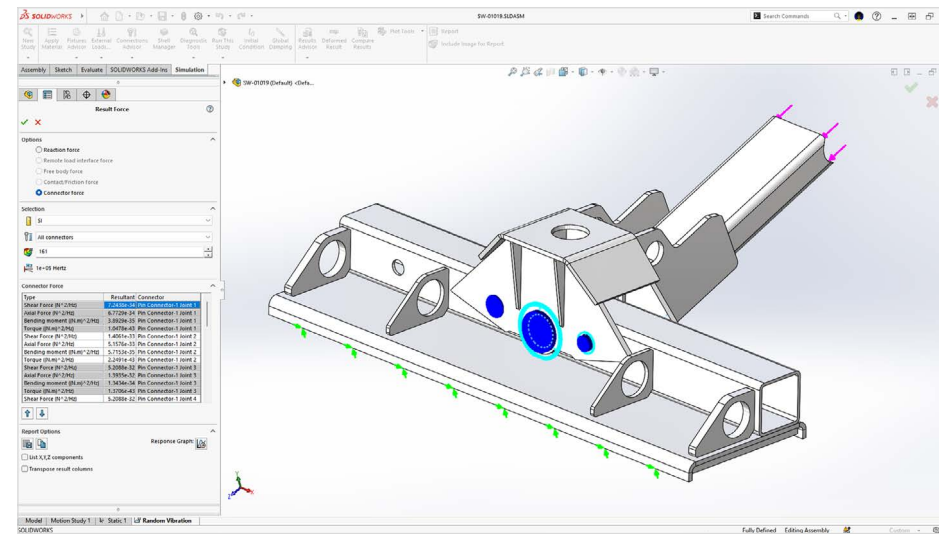
ENSURE PERFORMANCE AND ACCURACY: WHAT'S NEW IN SOLIDWORKS SIMULATION

Improve the fidelity, control, and efficiency of complex structural simulations. Force options for beams let you define loads as either Per Item or Total, improving precision in load application. Extract detailed Pin Connector forces in random vibration simulations, enabling more comprehensive analysis of connector behavior under dynamic loading. Plot angular rotation results in either degrees or radians, offering greater flexibility in how displacement data is displayed and interpreted.



Force Options for Beams

You can now choose between Per Item and Total definitions when applying force to beam elements, allowing for more precise control in structural simulations.



Pin Connector Force Results in Random Vibration

You can now extract detailed Pin Connector forces in random vibration simulations, including shear force, axial force, bending moment, and torque.

INTRODUCTION

WHAT'S NEW: DESIGN AND MODELING

- Drawings
- Assemblies
- Parts
- 3D Dimensioning and Tolerancing
- Electrical and Pipe Routing
- ECAD-MCAD Collaboration
- Rendering
- Import-Export
- User Experience
- Performance

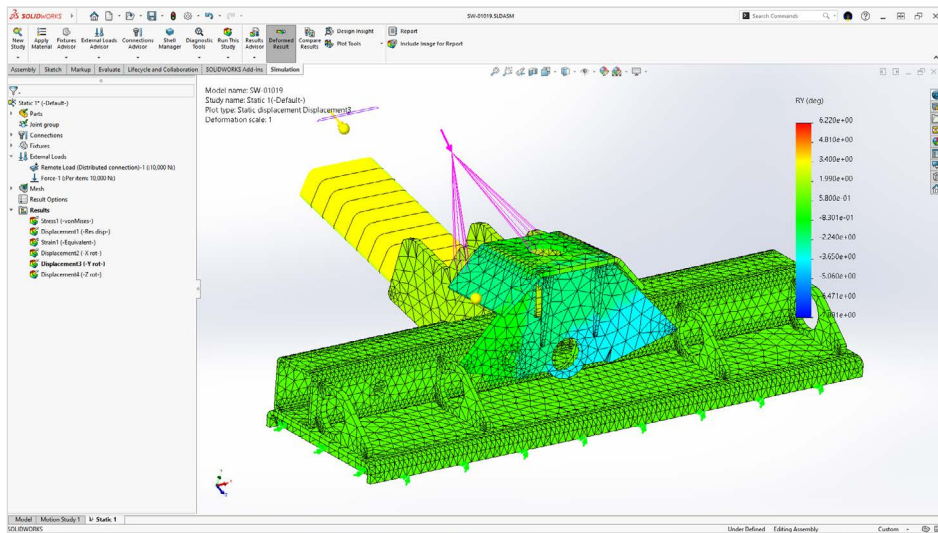
WHAT'S NEW: COLLABORATION AND DATA MANAGEMENT

WHAT'S NEW: MULTIDISCIPLINARY

- SOLIDWORKS PDM
- SOLIDWORKS Simulation
- SOLIDWORKS Electrical
- DraftSight

CONCLUSION

ENSURE PERFORMANCE AND ACCURACY: WHAT'S NEW IN SOLIDWORKS SIMULATION



Angular Displacement Plot Options

Plot angular rotation results in either degrees or radians, offering greater flexibility in how displacement data is displayed and interpreted.



INTRODUCTION

WHAT'S NEW: DESIGN AND MODELING

- Drawings
- Assemblies
- Parts
- 3D Dimensioning and Tolerancing
- Electrical and Pipe Routing
- ECAD-MCAD Collaboration
- Rendering
- Import-Export
- User Experience
- Performance

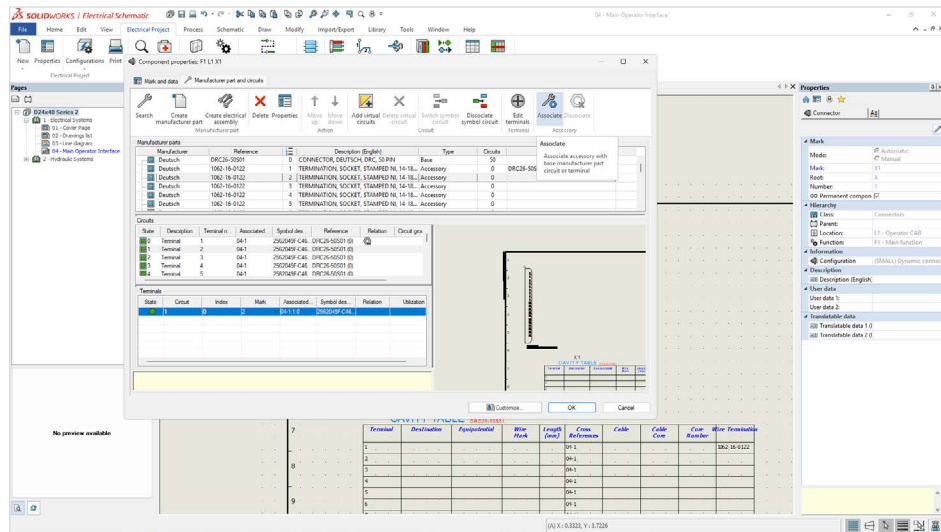
WHAT'S NEW: COLLABORATION AND DATA MANAGEMENT

WHAT'S NEW: MULTIDISCIPLINARY

- SOLIDWORKS PDM
- SOLIDWORKS Simulation
- SOLIDWORKS Electrical
- DraftSight

CONCLUSION

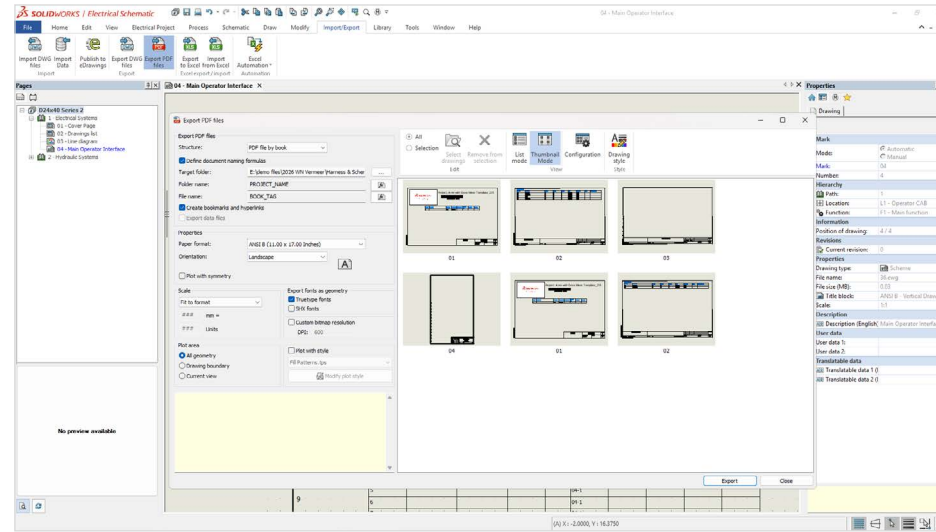
STREAMLINE ELECTRICAL DESIGN: WHAT'S NEW IN SOLIDWORKS ELECTRICAL



Assign Accessory Parts to Specific Terminals or Circuits

Create electrical assemblies that assign accessory parts to specific circuits or terminals and reference the connection positions within a connector or other component, all without 3D modeling.

Enhance design accuracy and manufacturing documentation by assigning accessory parts, such as pins, sockets, seals, and plugs, to specific connector terminals or circuits.



Improved Flexibility in PDF Export

Streamline document management with more flexible PDF export options, including organizing PDFs by project, book, or page.

You can also auto-number and name each PDF sheet and file as needed to better conform to company standards and conform to production requirements. In addition, you can control the orientation of each page by selecting portrait or landscape.

INTRODUCTION

WHAT'S NEW: DESIGN AND MODELING

- Drawings
- Assemblies
- Parts
- 3D Dimensioning and Tolerancing
- Electrical and Pipe Routing
- ECAD-MCAD Collaboration
- Rendering
- Import-Export
- User Experience
- Performance

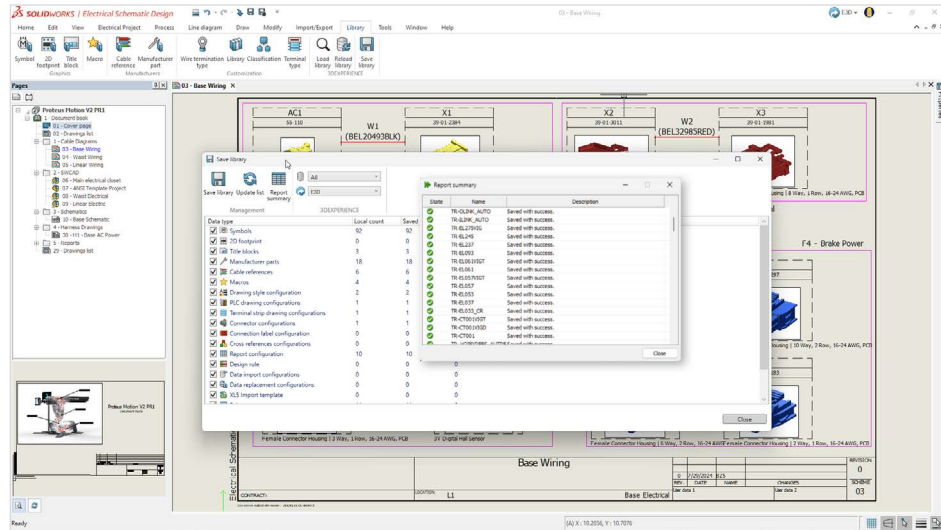
WHAT'S NEW: COLLABORATION AND DATA MANAGEMENT

WHAT'S NEW: MULTIDISCIPLINARY

- SOLIDWORKS PDM
- SOLIDWORKS Simulation
- SOLIDWORKS Electrical
- DraftSight

CONCLUSION

STREAMLINE ELECTRICAL DESIGN: WHAT'S NEW IN SOLIDWORKS ELECTRICAL



Save Local Libraries to 3DEXPERIENCE Platform

Save local electrical content to a central content library on the 3DEXPERIENCE platform.

INTRODUCTION

WHAT'S NEW: DESIGN AND MODELING

- Drawings
- Assemblies
- Parts
- 3D Dimensioning and Tolerancing
- Electrical and Pipe Routing
- ECAD-MCAD Collaboration
- Rendering
- Import-Export
- User Experience
- Performance

WHAT'S NEW: COLLABORATION AND DATA MANAGEMENT

WHAT'S NEW: MULTIDISCIPLINARY

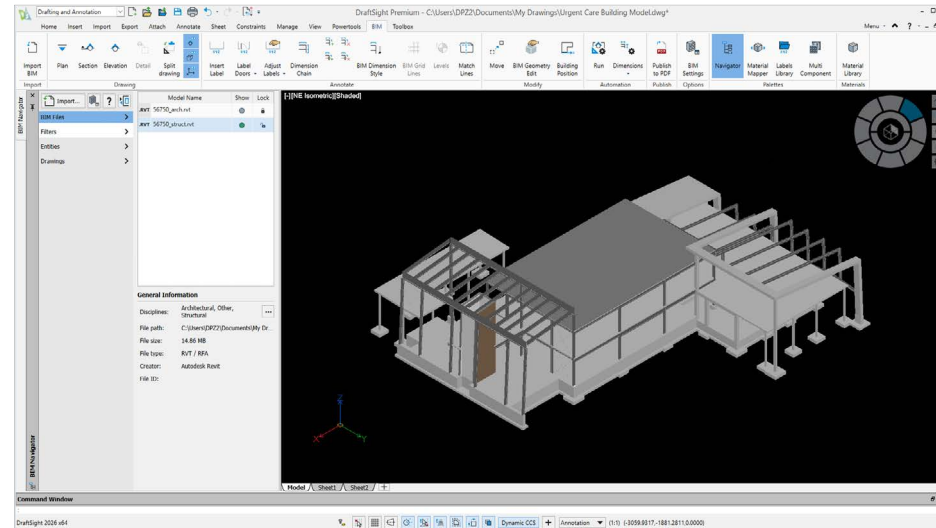
- SOLIDWORKS PDM
- SOLIDWORKS Simulation
- SOLIDWORKS Electrical
- DraftSight

CONCLUSION

SIMPLIFY DRAFTING WORKFLOWS WITH IMPROVED COMMUNICATION: WHAT'S NEW IN DRAFTSIGHT

Streamline design documentation and improve team collaboration with new DraftSight capabilities, including the ability to integrate building information modeling (BIM) data for accurate 2D deliverables, organize and publish projects efficiently with the Sheet Set Manager, and batch print drawings in the Collaborative Space to ensure consistent, up-to-date outputs.

These enhancements apply to DraftSight and DraftSight Augmented unless stated otherwise.



BIM Module

This enhancement applies to DraftSight Premium, Enterprise Plus, Collaborative Designer for DraftSight, and DraftSight Premium Augmented.

There's a new BIM Module that enables you to integrate BIM models into your 2D drawing workflow by importing RVT and IFC files to create plans, sections, and schedules from trusted BIM data.

This module enables compatibility with industry-standard files, making it easier to collaborate and work with a wide range of tools. Easily import, export, and exchange data between DraftSight and leading BIM tools that will help architects, engineers, and designers maintain a more cohesive workflow across platforms.

This integration improves project collaboration, enhances design accuracy, and improves overall project efficiency.

INTRODUCTION

WHAT'S NEW: DESIGN AND MODELING

- Drawings
- Assemblies
- Parts
- 3D Dimensioning and Tolerancing
- Electrical and Pipe Routing
- ECAD-MCAD Collaboration
- Rendering
- Import-Export
- User Experience
- Performance

WHAT'S NEW: COLLABORATION AND DATA MANAGEMENT

WHAT'S NEW: MULTIDISCIPLINARY

- SOLIDWORKS PDM
- SOLIDWORKS Simulation
- SOLIDWORKS Electrical
- DraftSight

CONCLUSION

SIMPLIFY DRAFTING WORKFLOWS WITH IMPROVED COMMUNICATION: WHAT'S NEW IN DRAFTSIGHT

INTRODUCTION

WHAT'S NEW: DESIGN AND MODELING

- Drawings
- Assemblies
- Parts
- 3D Dimensioning and Tolerecing
- Electrical and Pipe Routing
- ECAD-MCAD Collaboration
- Rendering
- Import-Export
- User Experience
- Performance

WHAT'S NEW: COLLABORATION AND DATA MANAGEMENT

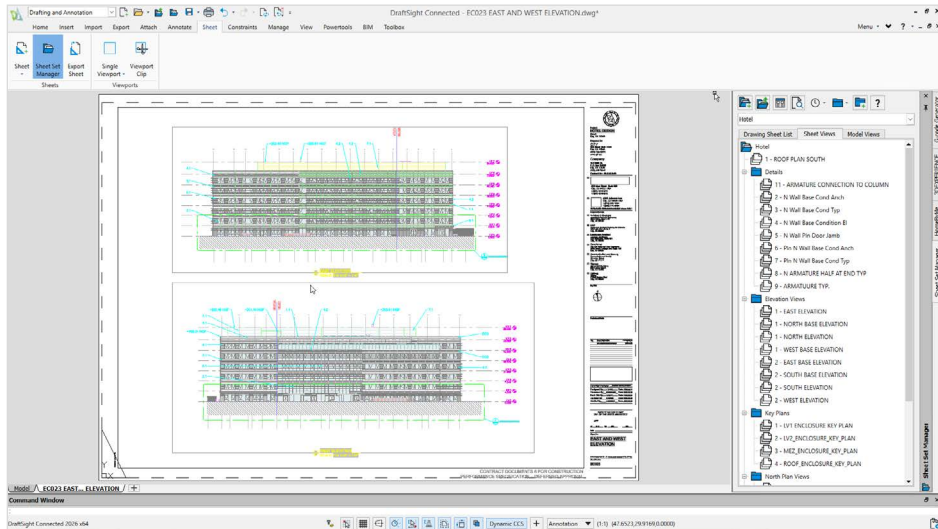
WHAT'S NEW: MULTIDISCIPLINARY

- SOLIDWORKS PDM
- SOLIDWORKS Simulation
- SOLIDWORKS Electrical
- DraftSight

CONCLUSION

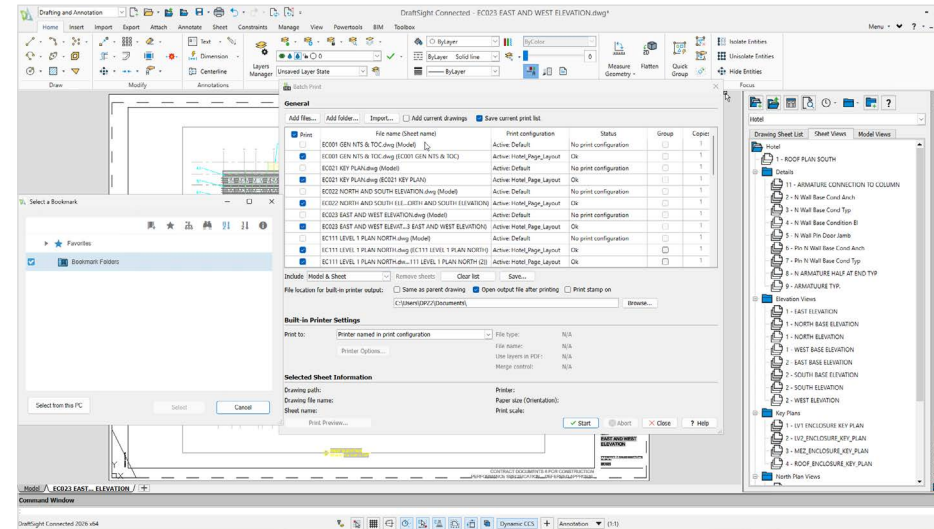
Sheet Set Manager on the Platform

Streamline project organization and publishing in DraftSight by managing drawing sheets with the Sheet Set Manager. Easily create, edit, and rearrange sheets, manage properties, and publish drawing sets to standardize and efficiently publish documentation across your project.



Batch Print Files in Collaborative Space

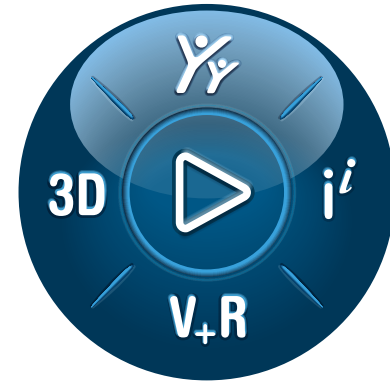
Accelerate and simplify printing by batch processing multiple drawings directly within DraftSight's Collaborative Space, ensuring consistent output and that all team members work with the latest file versions.



DISCOVER SOLIDWORKS 2026 TODAY

Get going with SOLIDWORKS 2026 and start benefiting from automated workflows with AI-empowered functionality to automatically create drawings, AI assistance from Aura for better collaborative-decision making, faster assembly design with selective loading, and much more—to accelerate design innovation.

Learn more about what's new here and talk with your [local reseller](#) today.



3DEXPERIENCE®

Dassault Systèmes is a catalyst for human progress. Since 1981, the company has pioneered virtual worlds to improve real life for consumers, patients and citizens.

With Dassault Systèmes' 3DEXPERIENCE platform, 370,000 customers of all sizes, in all industries, can collaborate, imagine and create sustainable innovations that drive meaningful impact.

For more information, visit: www.3ds.com

Europe/Middle East/Africa
Dassault Systèmes
10, rue Marcel Dassault
CS 40501
78946 Vélizy-Villacoublay Cedex
France

Asia-Pacific
Dassault Systèmes
17F, Foxconn Building,
No. 1366, Lujiazui Ring Road
Pilot Free Trade Zone, Shanghai 200120
China

Americas
Dassault Systèmes
175 Wyman Street
Waltham, Massachusetts
02451-1223
USA

**Virtual Worlds
for Real Life**



©2025 Dassault Systèmes. All rights reserved. 3DEXPERIENCE, the 3DS logo, the Compass icon, IPWE, 3DEXCITE, 3DVIEW, BIOPUR, CDTM, CENTRIC PDM, DELMIA, ENOVIA, CEQUIA, MENDOTA, NETVIBES, OUTSCALE, SHALUN and SOLIDWORKS are commercial trademarks or registered trademarks of Dassault Systèmes, an European company (Société Européenne) incorporated under French law and registered with the Versailles trade and companies registry under number 522 306 440, or its subsidiaries in the United States and/or other countries. All other trademarks are owned by their respective owners. Use of any Dassault Systèmes or its subsidiaries' trademarks is subject to their express written approval.

INTRODUCTION

WHAT'S NEW: DESIGN AND MODELING

- Drawings
- Assemblies
- Parts
- 3D Dimensioning and Tolerancing
- Electrical and Pipe Routing
- ECAD-MCAD Collaboration
- Rendering
- Import-Export
- User Experience
- Performance

WHAT'S NEW: COLLABORATION AND DATA MANAGEMENT

WHAT'S NEW: MULTIDISCIPLINARY

- SOLIDWORKS PDM
- SOLIDWORKS Simulation
- SOLIDWORKS Electrical
- DraftSight

CONCLUSION